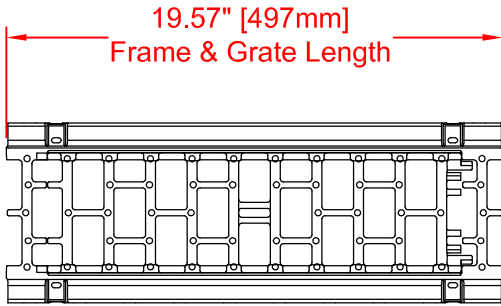
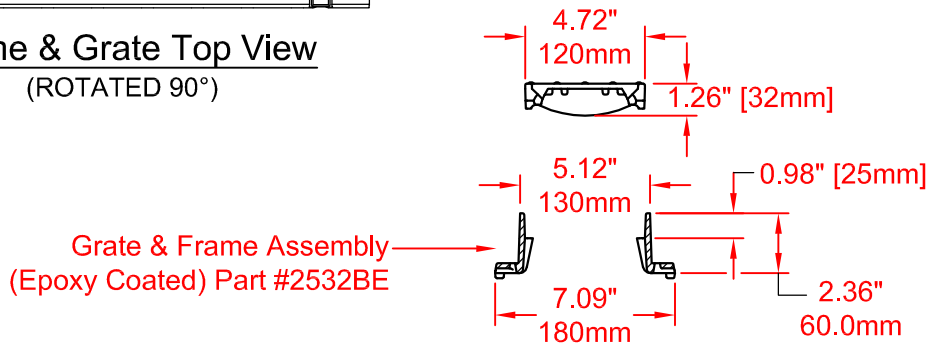


Plan Notes

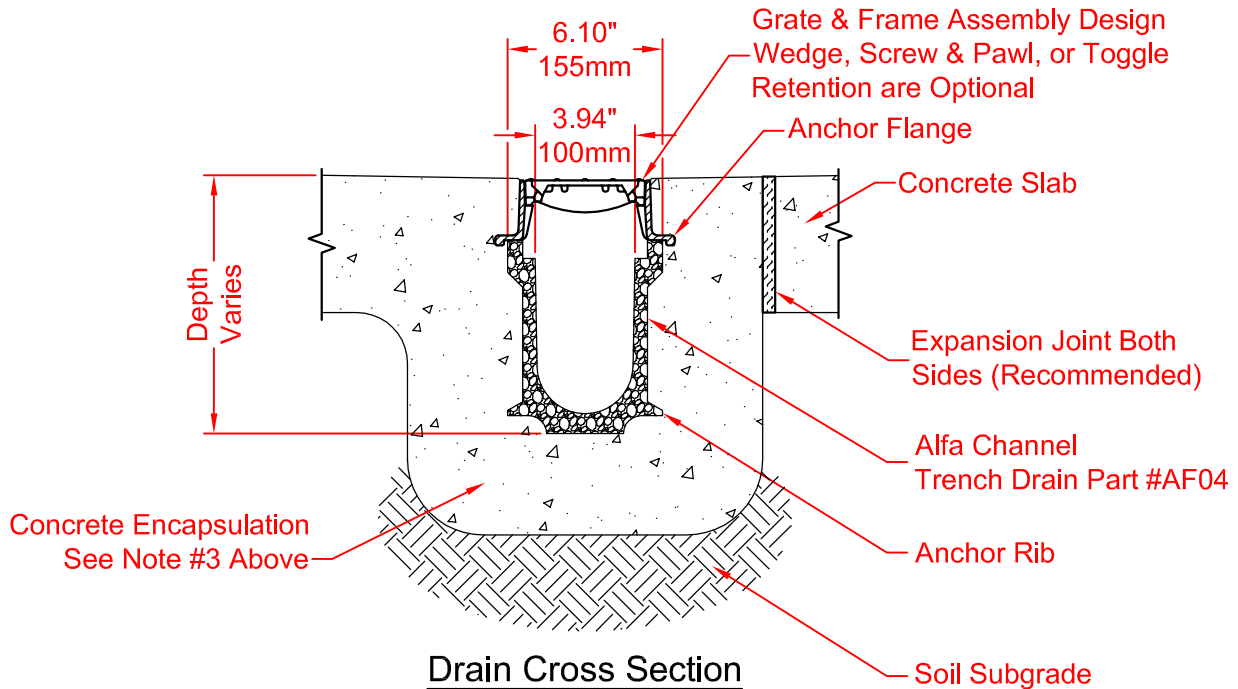
1. Series Number: AC-2532BE
2. Grate & Frame:
 - Ductile Iron per ASTM A536 Grade 80-55-06 (Epoxy Coated)
 - Open Area: 0.23 FT² per Lineal Foot [0.072 M² per lineal Meter]
 - Load Rating: 2469 PSI (AASHTO M-306 Test Method-Modified)
 - Made in the USA
3. Channel encapsulation concrete design, strength, and reinforcement must be suitable for the application. Thickness per Structural Engineer, slab thickness, or 4 inches; whichever is greater.



Frame & Grate Top View
(ROTATED 90°)



Grate & Frame End View



Drain Cross Section



Load Class G

Copyright © 2017 MultiDrain Systems, Inc.

MultiDrain
1405 INDUSTRIAL DRIVE
STATESVILLE, NC 28625
(704) 508-1010
1-800-433-1119
www.multidrain.com

ALFA CHANNEL® SYSTEM
Epoxy Coated Ductile Iron Frame & Grate Ass'y.

PART:
2532B

FILE NUMBER: **AC-2532B-17a**

REV: **00**

Proprietary rights of MultiDrain Systems, Inc. are included in the information disclosed herein. The recipient, by accepting this document, agrees that neither this document nor the information disclosed herein nor any part thereof shall be copied, reproduced or transferred for manufacturing or for any other purpose except as specifically authorized in writing by MULTIDRAIN.

DISCLAIMER: The customer and the customer's architects, engineers, consultants and other professionals are completely responsible for the selection, installation, and maintenance of any product purchased from MultiDrain, and EXCEPT AS EXPRESSLY PROVIDED IN MULTIDRAIN'S STANDARD WARRANTIES, MULTIDRAIN MAKES NO WARRANTY, EXPRESS OR IMPLIED, AS TO THE SUITABILITY, DESIGN, MERCHANTABILITY, OR FITNESS OF THE PRODUCT FOR CUSTOMER'S APPLICATION. Copies of MultiDrain's standard warranties are available upon request.