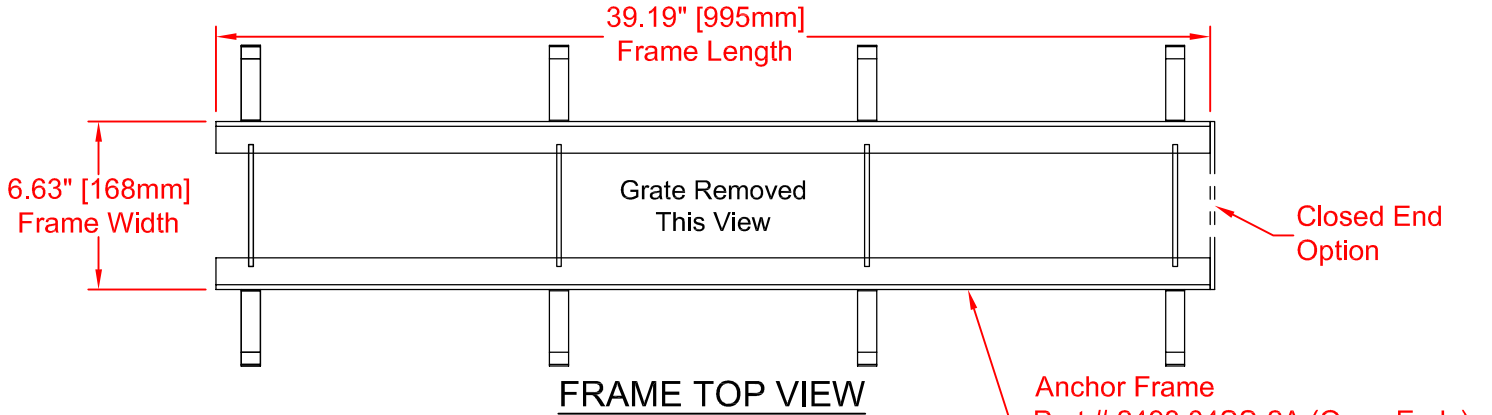


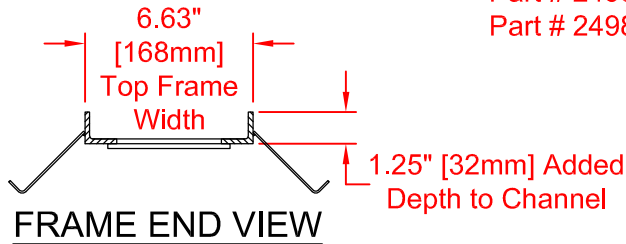
2468 GRATE TOP VIEW

Plan Notes

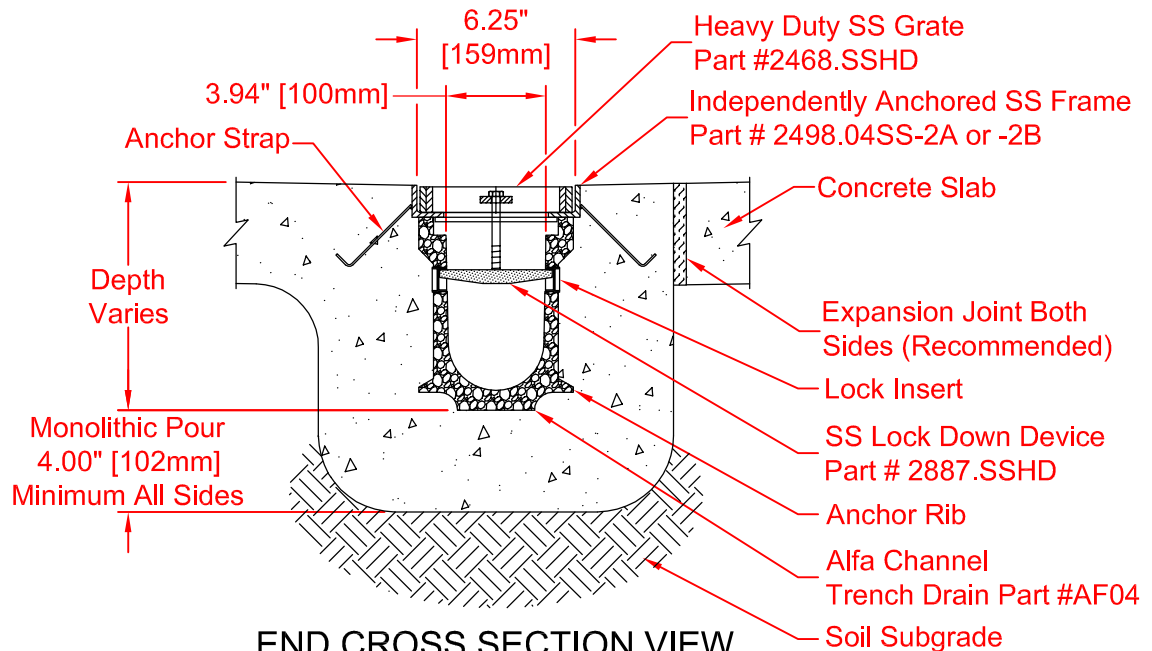
- Series Number: AC-2468.SSHD
- Grate & Frame:
 - Type 304 Stainless Steel Welded Construction
 - Open Area: 0.xx FT² per Lineal Foot [0.0xx M² per Lineal Meter]
 - Load Rating: 620 PSI (AASHTO M-306 Test Method)
 - Made in the USA
- Concrete: Concrete Thickness and Reinforcement per Structural Engineer's Specification for the Application.



FRAME TOP VIEW



FRAME END VIEW



END CROSS SECTION VIEW

Load Class E

Copyright © 2017 MultiDrain Systems, Inc.



1405 INDUSTRIAL DRIVE
STATESVILLE, NC 28625
(704) 508-1010
1-800-433-1119
www.multidrain.com

ALFA CHANNEL[®] SYSTEM
Heavy Duty Stainless Steel Frame & Grate Ass'y

PART:
2468

FILE NUMBER: **AC-2468.SSHD-17a**

REV: 00

Proprietary rights of MultiDrain Systems, Inc. are included in the information disclosed herein. The recipient, by accepting this document, agrees that neither this document nor the information disclosed herein nor any part thereof shall be copied, reproduced or transferred for manufacturing or for any other purpose except as specifically authorized in writing by MULTIDRAIN.

DISCLAIMER: The customer and the customer's architects, engineers, consultants and other professionals are completely responsible for the selection, installation, and maintenance of any product purchased from MultiDrain, and EXCEPT AS EXPRESSLY PROVIDED IN MULTIDRAIN'S STANDARD WARRANTIES, MULTIDRAIN MAKES NO WARRANTY, EXPRESS OR IMPLIED, AS TO THE SUITABILITY, DESIGN, MERCHANTABILITY, OR FITNESS OF THE PRODUCT FOR CUSTOMER'S APPLICATION. Copies of MultiDrain's standard warranties are available upon request.