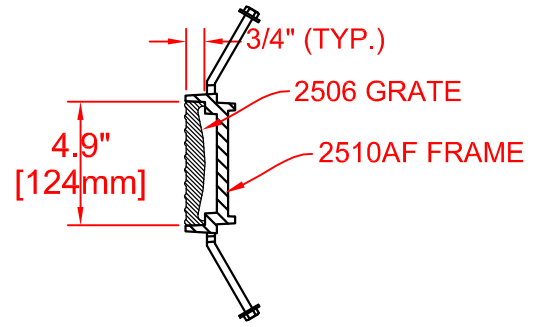


**PLAN**  
2506 Grate  
2510AF Frame



**END VIEW**

0.3"  
[6mm]  
SLOT  
WIDTH

2510AF  
INDEPENDENTLY  
ANCHORED FRAME  
ANCHOR BOLT

**NOTE:**  
FRAME AND GRATE ADD  
1.2" (31MM) TO OVERALL  
DEPTH OF CHANNEL.

MONOLITHIC CONCRETE  
POUR (ACCEPTABLE)  
CONCRETE THICKNESS  
AND REINFORCEMENT PER  
STRUCTURAL ENGINEER'S  
SPECIFICATION FOR  
THE APPLICATION

SOIL SUBGRADE

6.1"  
[155mm]

2506 DUCTILE IRON GRATE

EXPANSION JOINT  
BOTH SIDES  
(PREFERRED)

LOCK DOWN BOLT

LOCK TOGGLE

ANCHOR RIB

ALFA CHANNEL®

**T** = FLOOR SLAB THICKNESS,  
OR 4" MIN. [100mm],  
OR SPECIFICATION  
(WHICHEVER IS GREATER)

**CROSS SECTIONAL VIEW**



Load Class E

Copyright © 2017 MultiDrain Systems, Inc.



1405 INDUSTRIAL DRIVE  
STATESVILLE, NC 28625  
(704) 508-1010  
1-800-433-1119  
www.multidrain.com

**ALFA CHANNEL® SYSTEM**  
Ductile Iron Frame & Decorative Grate

PART:  
**2506**  
**2510AF**

FILE NUMBER: **AC-2506-AF-17a**

REV: 00

Proprietary rights of MultiDrain Systems, Inc. are included in the information disclosed herein. The recipient, by accepting this document, agrees that neither this document nor the information disclosed herein nor any part thereof shall be copied, reproduced or transferred for manufacturing or for any other purpose except as specifically authorized in writing by MULTIDRAIN.

**DISCLAIMER:** The customer and the customer's architects, engineers, consultants and other professionals are completely responsible for the selection, installation, and maintenance of any product purchased from MultiDrain, and EXCEPT AS EXPRESSLY PROVIDED IN MULTIDRAIN'S STANDARD WARRANTIES, MULTIDRAIN MAKES NO WARRANTY, EXPRESS OR IMPLIED, AS TO THE SUITABILITY, DESIGN, MERCHANTABILITY, OR FITNESS OF THE PRODUCT FOR CUSTOMER'S APPLICATION. Copies of MultiDrain's standard warranties are available upon request.