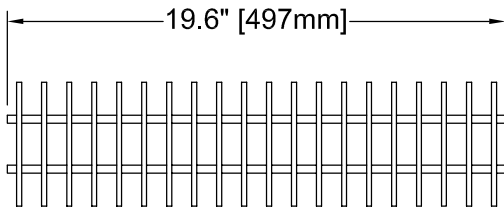
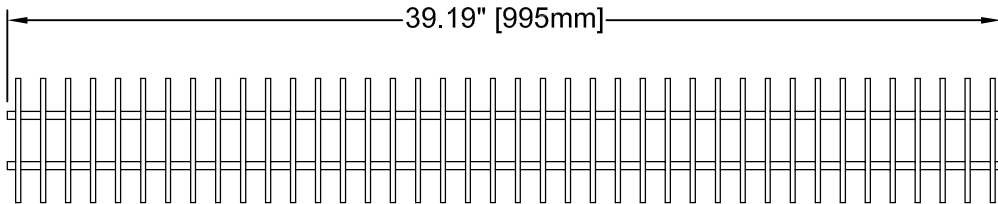


Plan Notes

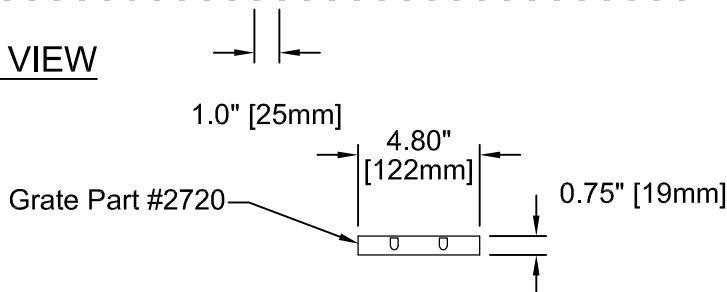
1. Series Number: PD-2720
2. Grates :
 - Vinyl Ester Chemical Resistant Fiber Reinforced Plastic
 - Load Rating: 150 PSI (AASHTO M-306 Test Method)
3. All Components are **Made in the USA.**
4. Concrete: Concrete Thickness and Reinforcement per Structural Engineer's Specification for the Application.



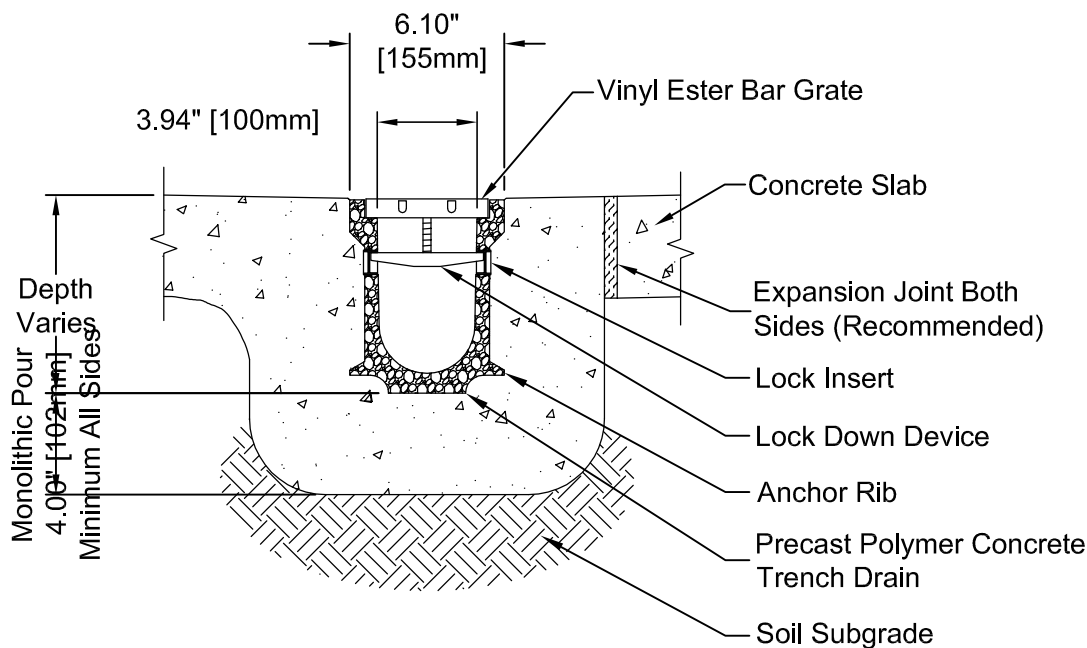
2721 GRATE TOP VIEW



2720 GRATE TOP VIEW



GRATE END VIEW



END CROSS SECTION VIEW

Load Class B



Copyright © 2017 MultiDrain Systems, Inc.



1405 INDUSTRIAL DRIVE
STATESVILLE, NC 28625
(704) 508-1010
1-800-433-1119
www.multidrain.com

ALFA CHANNEL® SYSTEM
Vinyl Ester Fiber Reinforced Bar Grate

PART:
2720 / 2721

FILE NUMBER: **AC-2720_2721-17a**

REV: **00**

Proprietary rights of MultiDrain Systems, Inc. are included in the information disclosed herein. The recipient, by accepting this document, agrees that neither this document nor the information disclosed herein nor any part thereof shall be copied, reproduced or transferred for manufacturing or for any other purpose except as specifically authorized in writing by MULTIDRAIN.

DISCLAIMER: The customer and the customer's architects, engineers, consultants and other professionals are completely responsible for the selection, installation, and maintenance of any product purchased from MultiDrain, and EXCEPT AS EXPRESSLY PROVIDED IN MULTIDRAIN'S STANDARD WARRANTIES, MULTIDRAIN MAKES NO WARRANTY, EXPRESS OR IMPLIED, AS TO THE SUITABILITY, DESIGN, MERCHANTABILITY, OR FITNESS OF THE PRODUCT FOR CUSTOMER'S APPLICATION. Copies of MultiDrain's standard warranties are available upon request.