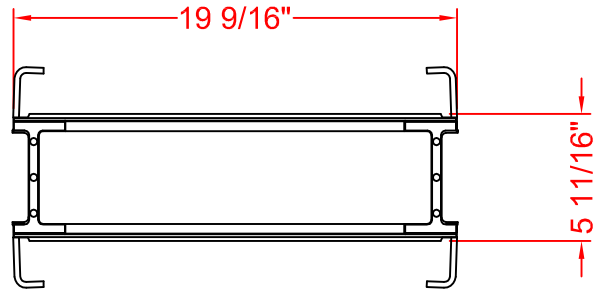
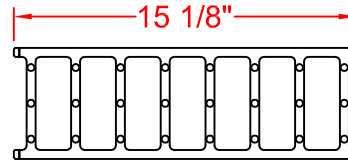


**#2552 1-PIECE
FRAME & GRATE**

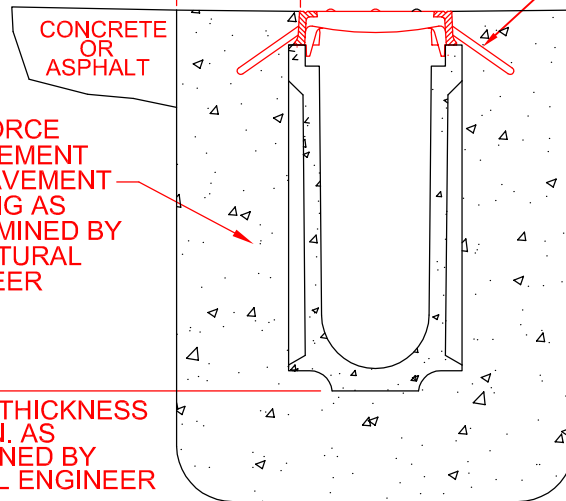


**#2542 2-PIECES
FRAME & GRATE**



PAVEMENT THICKNESS
OR 6" MIN. AS
DETERMINED BY
STRUCTURAL ENGINEER

STAINLESS STEEL
ANCHOR / 4
PER FRAME



REINFORCE
ENCASEMENT
PER PAVEMENT
LOADING AS
DETERMINED BY
STRUCTURAL
ENGINEER

PAVEMENT THICKNESS
OR 6" MIN. AS
DETERMINED BY
STRUCTURAL ENGINEER

**RECOMMENDED
ENCASEMENT**

**TYPICAL SECTION
N.T.S.**

Load Class E

NOTE:

NOTE: INTERCEPTOR FRAME AND
GRATE SYSTEM MEETS OR EXCEEDS
ALL AASHTO LOAD RATINGS



Copyright © 2017 MultiDrain Systems, Inc.

MultiDrain

1405 INDUSTRIAL DRIVE
STATESVILLE, NC 28625
(704) 508-1010
1-800-433-1119
www.multidrain.com

ALFA CHANNEL® SYSTEM
Interceptor Frame & Grate Assembly - Ductile Iron

PART:

2552

FILE NUMBER:

AC-2552-17a

REV: 00

Proprietary rights of MultiDrain Systems, Inc. are included in the information disclosed herein. The recipient, by accepting this document, agrees that neither this document nor the information disclosed herein nor any part thereof shall be copied, reproduced or transferred for manufacturing or for any other purpose except as specifically authorized in writing by MULTIDRAIN.

DISCLAIMER: The customer and the customer's architects, engineers, consultants and other professionals are completely responsible for the selection, installation, and maintenance of any product purchased from MultiDrain, and EXCEPT AS EXPRESSLY PROVIDED IN MULTIDRAIN'S STANDARD WARRANTIES, MULTIDRAIN MAKES NO WARRANTY, EXPRESS OR IMPLIED, AS TO THE SUITABILITY, DESIGN, MERCHANTABILITY, OR FITNESS OF THE PRODUCT FOR CUSTOMER'S APPLICATION. Copies of MultiDrain's standard warranties are available upon request.