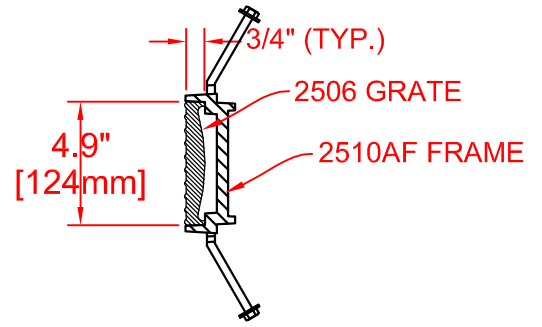


PLAN
2506 Grate
2510AF Frame



END VIEW

0.3"
[6mm]
SLOT
WIDTH

2510AF
INDEPENDENTLY
ANCHORED FRAME
ANCHOR BOLT

NOTE:
FRAME AND GRATE ADD
1.2" (31MM) TO OVERALL
DEPTH OF CHANNEL.

MONOLITHIC CONCRETE
POUR (ACCEPTABLE)
CONCRETE THICKNESS
AND REINFORCEMENT PER
STRUCTURAL ENGINEER'S
SPECIFICATION FOR
THE APPLICATION

SOIL SUBGRADE

6.1"
[155mm]

2506 DUCTILE IRON GRATE

EXPANSION JOINT
BOTH SIDES
(PREFERRED)

LOCK DOWN BOLT

LOCK TOGGLE

ANCHOR RIB

ALPHA CHANNEL®

T = FLOOR SLAB THICKNESS,
OR 4" MIN. [100mm],
OR SPECIFICATION
(WHICHEVER IS GREATER)

CROSS SECTIONAL VIEW



Load Class E

Copyright © 2017 MultiDrain Systems, Inc.

MultiDrain

1405 INDUSTRIAL DRIVE
STATESVILLE, NC 28625
(704) 508-1010
1-800-433-1119
www.multidrain.com

ALFA CHANNEL® SYSTEM
Ductile Iron Frame & Decorative Grate

PART:
2506
2510AF

FILE NUMBER: **AC-2506-AF-17a**

REV: 00

Proprietary rights of MultiDrain Systems, Inc. are included in the information disclosed herein. The recipient, by accepting this document, agrees that neither this document nor the information disclosed herein nor any part thereof shall be copied, reproduced or transferred for manufacturing or for any other purpose except as specifically authorized in writing by MULTIDRAIN.

DISCLAIMER: The customer and the customer's architects, engineers, consultants and other professionals are completely responsible for the selection, installation, and maintenance of any product purchased from MultiDrain, and EXCEPT AS EXPRESSLY PROVIDED IN MULTIDRAIN'S STANDARD WARRANTIES, MULTIDRAIN MAKES NO WARRANTY, EXPRESS OR IMPLIED, AS TO THE SUITABILITY, DESIGN, MERCHANTABILITY, OR FITNESS OF THE PRODUCT FOR CUSTOMER'S APPLICATION. Copies of MultiDrain's standard warranties are available upon request.