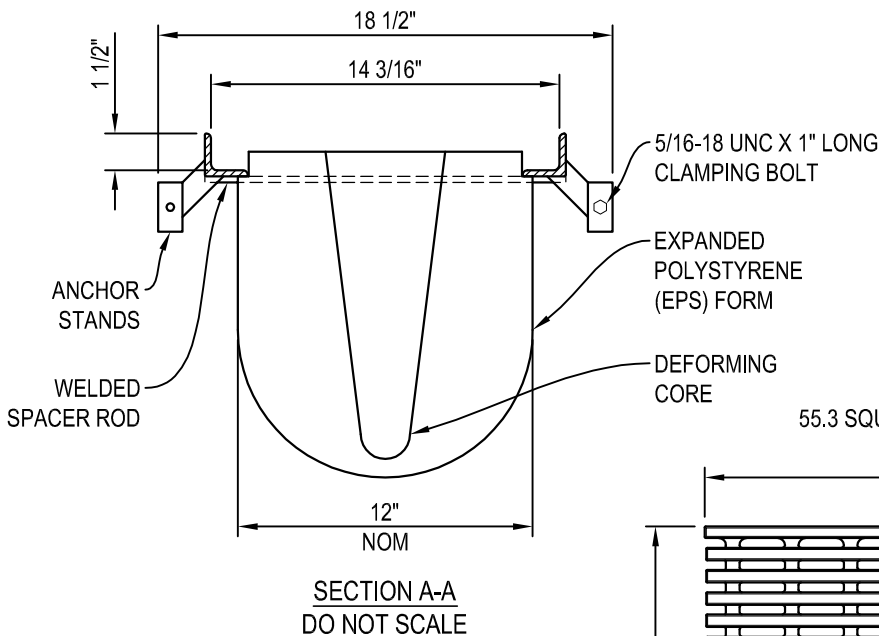
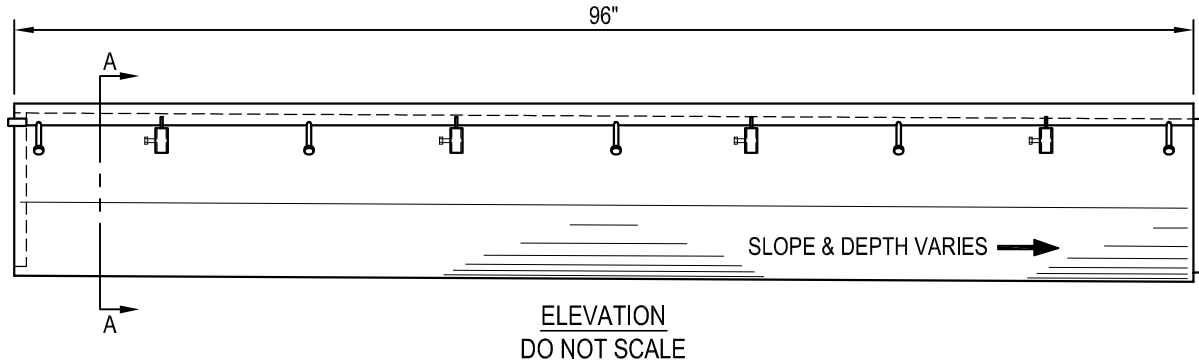




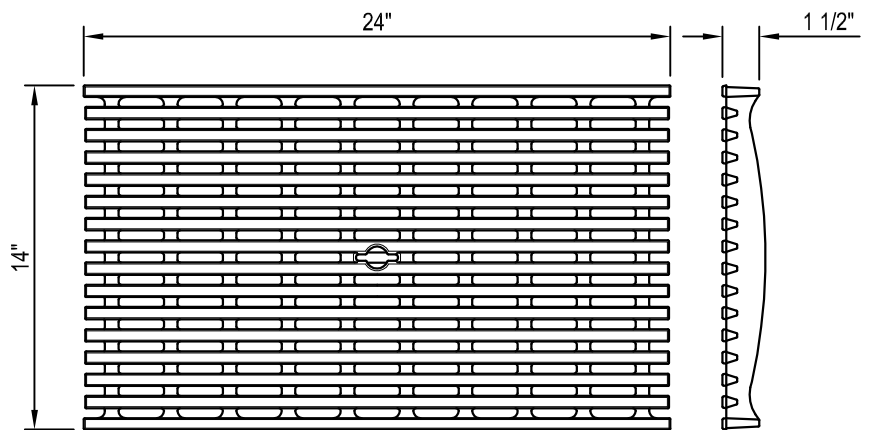
We Drain Your Site, Not Your Budget!

MULTIDRAIN SYSTEMS, INC.  
 P.O. BOX 88  
 BARIUM SPRINGS, NC 28010  
 TOLL FREE: 1-800-433-1119  
 PHONE: (704) 508-1010  
 FAX: (704) 508-1011  
 www.multidrain.com



**FINISH SPECIFICATION**  
 GRATE FRAME: BLACK PAINT - STANDARD  
 HOT DIP GALVANIZE - OPTIONAL  
 CAST GRATE : BLACK PAINT - STANDARD  
 HOT DIP GALVANIZE - OPTIONAL

33.1% OPEN AREA  
 55.3 SQUARE INCHES PER LINEAR FOOT



H20 CAST IRON GRATE: #EG-1424-1DI-ADA  
 ADA COMPLIANT  
 AASHTO M306 - H20 & HS25  
 (INSTALLED AFTER REMOVAL OF EPS FORM)

**NOTES:**

1. INSTALLATION TO BE COMPLETED IN ACCORDANCE WITH MANUFACTURERS SPECIFICATIONS.
2. DO NOT SCALE DRAWINGS.

