

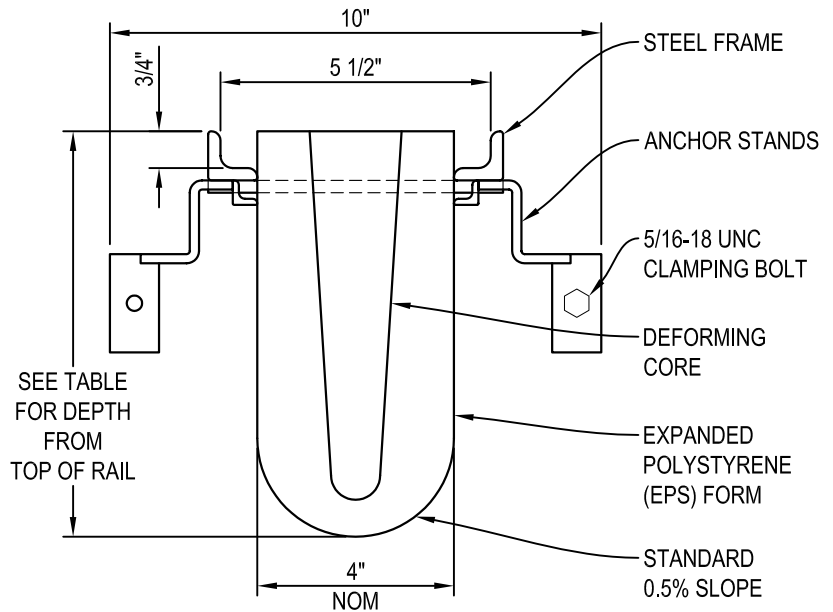


We Drain Your Site, Not Your Budget!

MULTIDRAIN SYSTEMS, INC.  
 P.O. BOX 88  
 BARIUM SPRINGS, NC 28010  
 TOLL FREE: 1-800-433-1119  
 PHONE: (704) 508-1010  
 FAX: (704) 508-1011  
 www.multidrain.com

|                   | EPS FORM       | DEPTH   |         | FLOW GPM |     |
|-------------------|----------------|---------|---------|----------|-----|
|                   |                | MIN     | MAX     |          |     |
| SHALLOW EPS FORMS | 04             | 4 1/4"  | 4 3/4"  | 86       |     |
|                   | 05             | 4 3/4"  | 5 1/4"  | 100      |     |
|                   | 06             | 5 1/4"  | 5 3/4"  | 115      |     |
|                   | 07             | 5 3/4"  | 6 1/4"  | 130      |     |
|                   | 08             | 6 1/4"  | 6 3/4"  | 144      |     |
|                   | 09             | 6 3/4"  | 7 1/4"  | 159      |     |
|                   | 10             | 7 1/4"  | 7 3/4"  | 174      |     |
|                   | 11             | 7 3/4"  | 8 1/4"  | 189      |     |
|                   | 12             | 8 1/4"  | 8 3/4"  | 204      |     |
|                   | 13             | 8 3/4"  | 9 1/4"  | 219      |     |
|                   | 14             | 9 1/4"  | 9 3/4"  | 234      |     |
|                   | 15             | 9 3/4"  | 10 1/4" | 250      |     |
|                   | 16             | 10 1/4" | 10 3/4" | 265      |     |
|                   | 17             | 10 3/4" | 11 1/4" | 280      |     |
|                   | 18             | 11 1/4" | 11 3/4" | 295      |     |
|                   | 19             | 11 3/4" | 12 1/4" | 310      |     |
|                   | 20             | 12 1/4" | 12 3/4" | 325      |     |
|                   | 21             | 12 3/4" | 13 1/4" | 340      |     |
|                   | 22             | 13 1/4" | 13 3/4" | 356      |     |
|                   | 23             | 13 3/4" | 14 1/4" | 371      |     |
|                   | DEEP EPS FORMS | 24      | 14 1/4" | 14 3/4"  | 386 |
|                   |                | 25      | 14 3/4" | 15 1/4"  | 401 |
|                   |                | 26      | 15 1/4" | 15 3/4"  | 416 |
| 27                |                | 15 3/4" | 16 1/4" | 432      |     |
| 28                |                | 16 1/4" | 16 3/4" | 447      |     |
| 29                |                | 16 3/4" | 17 1/4" | 462      |     |
| 30                |                | 17 1/4" | 17 3/4" | 477      |     |
| 31                |                | 17 3/4" | 18 1/4" | 493      |     |
| 32                |                | 18 1/4" | 18 3/4" | 508      |     |
| 33                |                | 18 3/4" | 19 1/4" | 523      |     |
| 34                |                | 19 1/4" | 19 3/4" | 538      |     |
| 35                |                | 19 3/4" | 20 1/4" | 554      |     |
| 36                |                | 20 1/4" | 20 3/4" | 569      |     |
| 37                |                | 20 3/4" | 21 1/4" | 584      |     |
| 38                |                | 21 1/4" | 21 3/4" | 599      |     |
| 39                |                | 21 3/4" | 22 1/4" | 615      |     |
| 40                |                | 22 1/4" | 22 3/4" | 630      |     |
| 41                |                | 22 3/4" | 23 1/4" | 645      |     |
| 42                |                | 23 1/4" | 23 3/4" | 660      |     |
| 43                |                | 23 3/4" | 24 1/4" | 676      |     |
| 44                |                | 24 1/4" | 24 3/4" | 691      |     |
| 45                |                | 24 3/4" | 25 1/4" | 706      |     |

STANDARD GRATE:  
 AASHTO M306 - H20 & HS25  
 DUCTILE IRON GRATE  
 #EG-04241DIB  
 (NOT PICTURED)



**STEEL FRAMES & EPS FORMS ARE STANDARD 8'-0" LENGTHS**

|    |    |    |    |    |    |    |    |    |    |    |    |    |    |    |    |    |    |    |    |
|----|----|----|----|----|----|----|----|----|----|----|----|----|----|----|----|----|----|----|----|
| 04 | 05 | 06 | 07 | 08 | 09 | 10 | 11 | 12 | 13 | 14 | 15 | 16 | 17 | 18 | 19 | 20 | 21 | 22 | 23 |
|----|----|----|----|----|----|----|----|----|----|----|----|----|----|----|----|----|----|----|----|

**SHALLOW EPS FORMS**

|    |    |    |    |    |    |    |    |    |    |    |    |    |    |    |    |    |    |    |    |    |    |
|----|----|----|----|----|----|----|----|----|----|----|----|----|----|----|----|----|----|----|----|----|----|
| 24 | 25 | 26 | 27 | 28 | 29 | 30 | 31 | 32 | 33 | 34 | 35 | 36 | 37 | 38 | 39 | 40 | 41 | 42 | 43 | 44 | 45 |
|----|----|----|----|----|----|----|----|----|----|----|----|----|----|----|----|----|----|----|----|----|----|

**DEEP EPS FORMS**

**NOTES:**

1. INSTALLATION TO BE COMPLETED IN ACCORDANCE WITH MANUFACTURERS SPECIFICATIONS.
2. DO NOT SCALE DRAWINGS.

