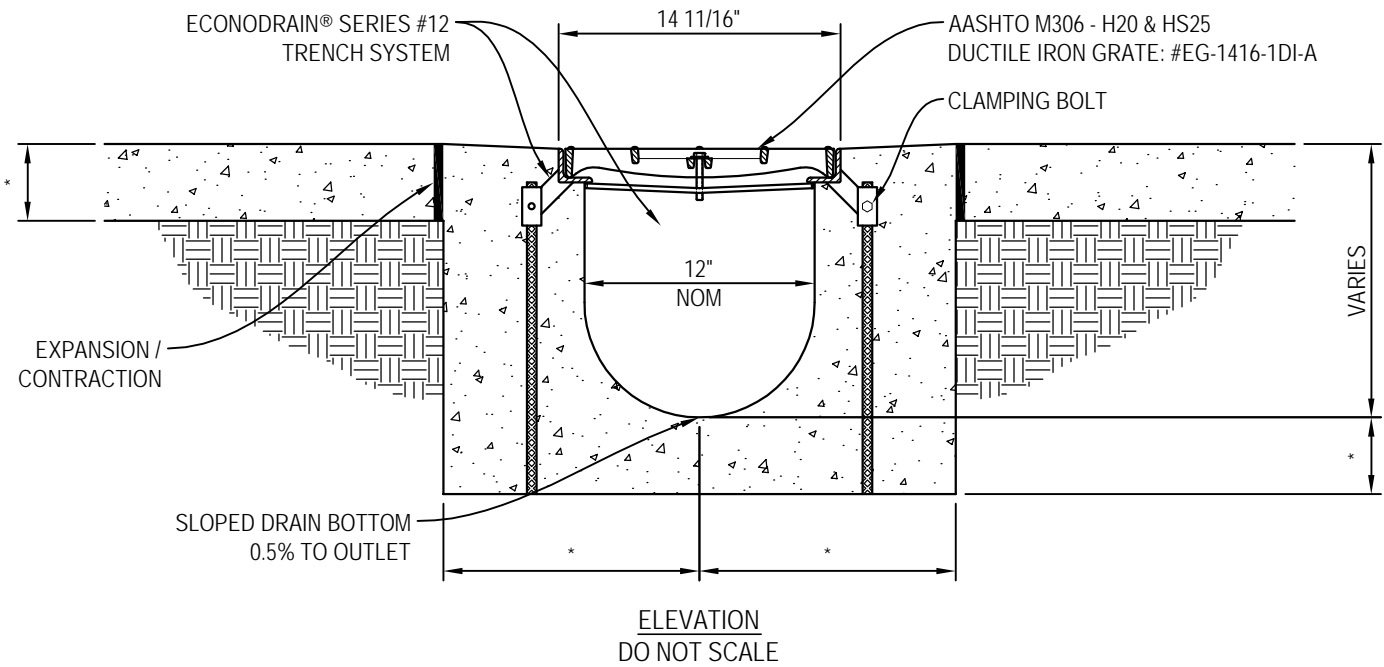




We Drain Your Site, Not Your Budget!

MULTIDRAIN SYSTEMS, INC.  
 P.O. BOX 88  
 BARIUM SPRINGS, NC 28010  
 TOLL FREE: 1-800-433-1119  
 PHONE: (704) 508-1010  
 FAX: (704) 508-1011  
 www.multidrain.com



NOTES TO THE SPECIFIER:

1. ADD REBAR AS REQUIRED
2. SPECIFY REQUIRED DIMENSIONS (LABELED WITH \*)
3. SHOW TOP OF GRATE ELEVATION IN PLAN VIEW
4. EXPANSION / CONTRACTION JOINT PER LOCAL ENGINEERING REGULATIONS AND GUIDELINES
5. STANDARD CHANNEL LENGTH IS 8'-0" (96")
6. STANDARD CHANNEL SLOPE IS 0.5%

FINISH SPECIFICATION

- GRATE FRAME: BLACK PAINT - STANDARD  
 HOT DIP GALVANIZE - OPTIONAL  
 CAST GRATE : BLACK PAINT - STANDARD  
 HOT DIP GALVANIZE - OPTIONAL

NOTES:

1. INSTALLATION TO BE COMPLETED IN ACCORDANCE WITH MANUFACTURERS SPECIFICATIONS.
2. DO NOT SCALE DRAWINGS.

