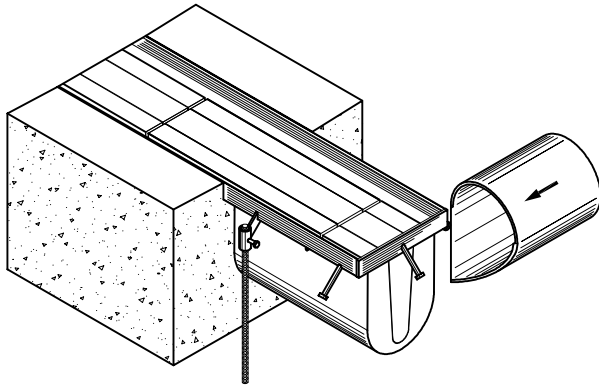


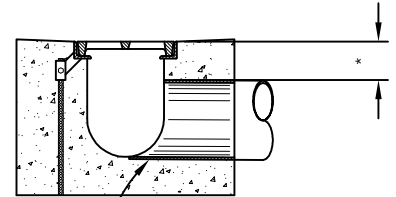


We Drain Your Site, Not Your Budget!

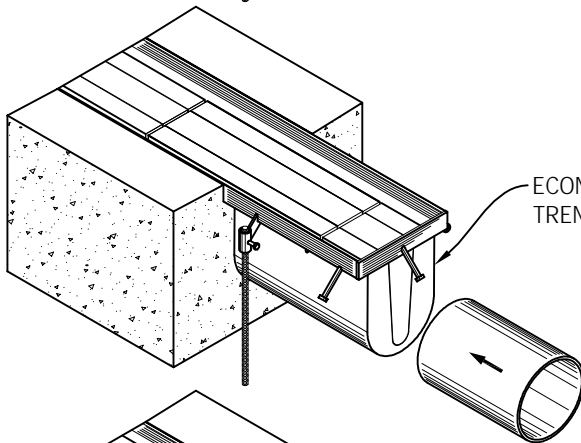
MULTIDRAIN SYSTEMS, INC.
P.O. BOX 88
BARIUM SPRINGS, NC 28010
TOLL FREE: 1-800-433-1119
PHONE: (704) 508-1010
FAX: (704) 508-1011
www.multidrain.com



SIDE OUTLET
DO NOT SCALE

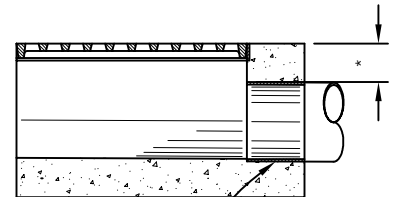


CUT OUTLET PIPE TO MATCH
INVERT OF TRENCH DRAIN

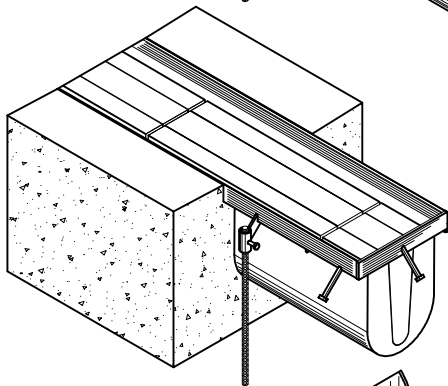


ECONODRAIN®
TRENCH SYSTEM

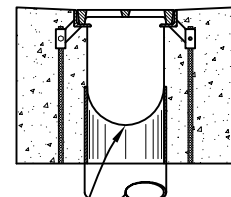
IN-LINE OUTLET
DO NOT SCALE



MATCH FLOW LINE OF OUTLET PIPE
TO INVERT OF TRENCH DRAIN



BOTTOM OUTLET
DO NOT SCALE



CUT OUTLET PIPE TO MATCH
PROFILE OF TRENCH DRAIN

NOTES TO THE SPECIFIER:

1. ADD REBAR AS REQUIRED.
2. SPECIFY MINIMUM CONCRETE ENCASEMENT.
3. MINIMUM CONCRETE COVERAGE OF OUTLET PIPE MUST BE GREATER THAN 4 INCHES (LABELED WITH *).
4. FINAL CONCRETE THICKNESS PER LOCAL ENGINEERING REGULATIONS AND GUIDELINES.

CONSTRUCTION NOTES:

1. INSTALLATION TO BE COMPLETED IN ACCORDANCE WITH MANUFACTURERS SPECIFICATIONS.
2. SECURE OUTLET PIPE PRIOR TO CONCRETING OPERATIONS.
3. DO NOT SCALE DRAWINGS.

