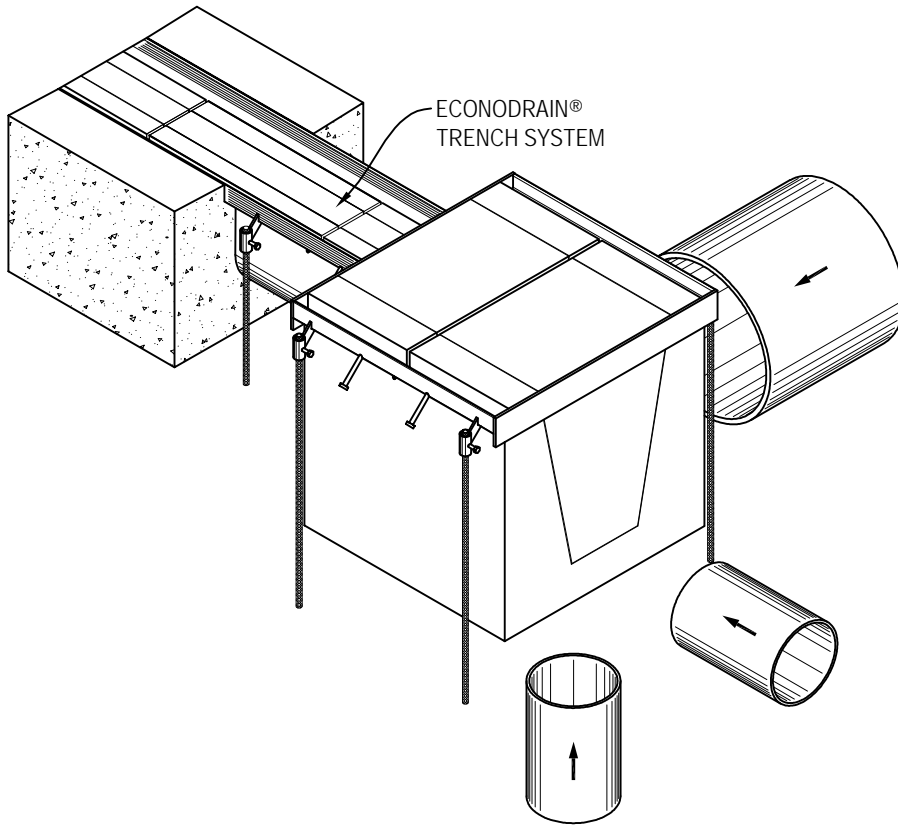


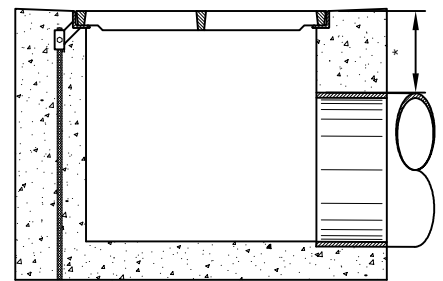


We Drain Your Site, Not Your Budget!

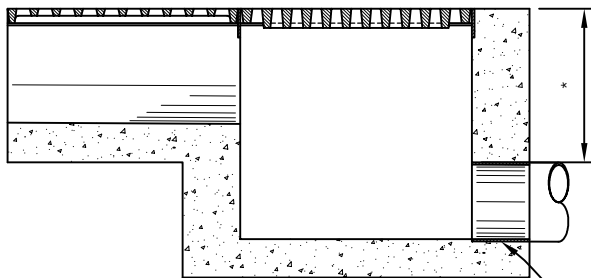
MULTIDRAIN SYSTEMS, INC.
P.O. BOX 88
BARIUM SPRINGS, NC 28010
TOLL FREE: 1-800-433-1119
PHONE: (704) 508-1010
FAX: (704) 508-1011
www.multidrain.com



ECONODRAIN®
TRENCH SYSTEM

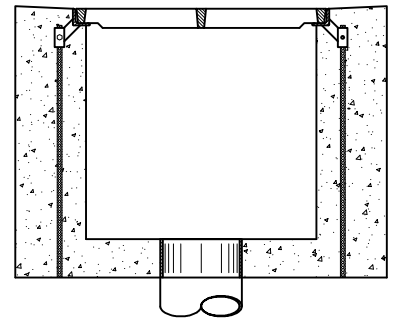


SIDE OUTLET
DO NOT SCALE



IN-LINE OUTLET
DO NOT SCALE

SET FLOW LINE OF OUTLET PIPE
TO REQUIRED SLOPE



BOTTOM OUTLET
DO NOT SCALE

NOTES TO THE SPECIFIER:

1. ADD REBAR AS REQUIRED.
2. SPECIFY MINIMUM CONCRETE ENCASEMENT.
3. MINIMUM CONCRETE COVERAGE OF OUTLET PIPE MUST BE GREATER THAN 4 INCHES (LABELED WITH *).
4. FINAL CONCRETE THICKNESS PER LOCAL ENGINEERING REGULATIONS AND GUIDELINES.

CONSTRUCTION NOTES:

1. INSTALLATION TO BE COMPLETED IN ACCORDANCE WITH MANUFACTURERS SPECIFICATIONS.
2. SECURE OUTLET PIPE PRIOR TO CONCRETING OPERATIONS.
3. DO NOT SCALE DRAWINGS.



EconoDrain® Series

OUTLETS FROM CATCH BASIN