

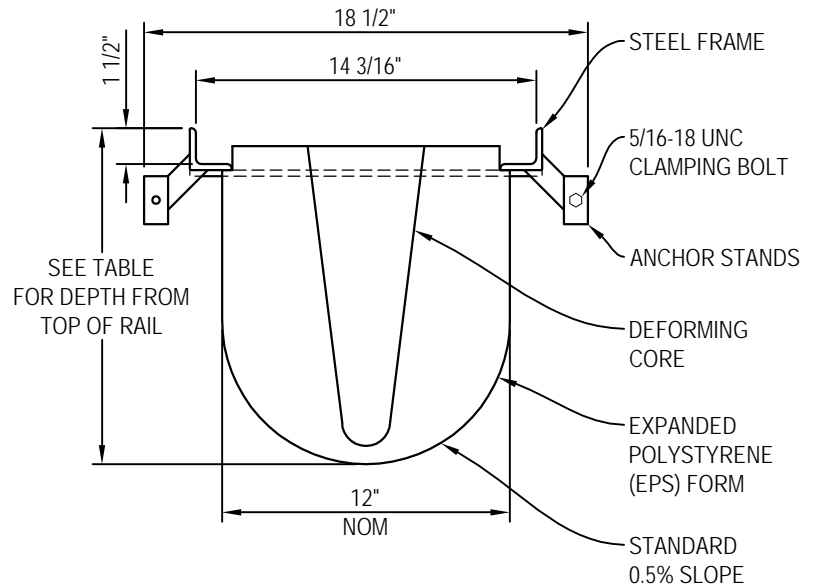


We Drain Your Site, Not Your Budget!

MULTIDRAIN SYSTEMS, INC.
 P.O. BOX 88
 BARIUM SPRINGS, NC 28010
 TOLL FREE: 1-800-433-1119
 PHONE: (704) 508-1010
 FAX: (704) 508-1011
 www.multidrain.com

	EPS FORM	DEPTH		FLOW GPM
		MIN	MAX	
SHALLOW EPS FORMS	10	8"	8 1/2"	730
	11	8 1/2"	9"	814
	12	9"	9 1/2"	899
	13	9 1/2"	10"	985
	14	10"	10 1/2"	1072
	15	10 1/2"	11"	1159
	16	11"	11 1/2"	1247
	17	11 1/2"	12"	1335
	18	12"	12 1/2"	1425
	19	12 1/2"	13"	1514
	20	13"	13 1/2"	1604
	21	13 1/2"	14"	1694
	22	14"	14 1/2"	1785
23	14 1/2"	15"	1876	
DEEP EPS FORMS	24	15"	15 1/2"	1967
	25	15 1/2"	16"	2058
	26	16"	16 1/2"	2150
	27	16 1/2"	17"	2242
	28	17"	17 1/2"	2334
	29	17 1/2"	18"	2426
	30	18"	18 1/2"	2519
	31	18 1/2"	19"	2611
	32	19"	19 1/2"	2704
	33	19 1/2"	20"	2797
	34	20"	20 1/2"	2890
	35	20 1/2"	21"	2983
	36	21"	21 1/2"	3076
	37	21 1/2"	22"	3169
	38	22"	22 1/2"	3263
	39	22 1/2"	23"	3356
	40	23"	23 1/2"	3450
	41	23 1/2"	24"	3543
	42	24"	24 1/2"	3637
	43	24 1/2"	25"	3731
	44	25"	25 1/2"	3824
	45	25 1/2"	26"	3918

STANDARD GRATE:
 AASHTO M306 - H20 & HS25
 DUCTILE IRON GRATE
 #EG-1416-1DI-A
 (NOT PICTURED)



STEEL FRAMES & EPS FORMS ARE STANDARD 8'-0" LENGTHS

10	11	12	13	14	15	16	17	18	19	20	21	22	23
----	----	----	----	----	----	----	----	----	----	----	----	----	----

SHALLOW EPS FORMS

24	25	26	27	28	29	30	31	32	33	34	35	36	37	38	39	40	41	42	43	44	45
----	----	----	----	----	----	----	----	----	----	----	----	----	----	----	----	----	----	----	----	----	----

DEEP EPS FORMS

NOTES:

1. INSTALLATION TO BE COMPLETED IN ACCORDANCE WITH MANUFACTURERS SPECIFICATIONS.
2. DO NOT SCALE DRAWINGS.

