

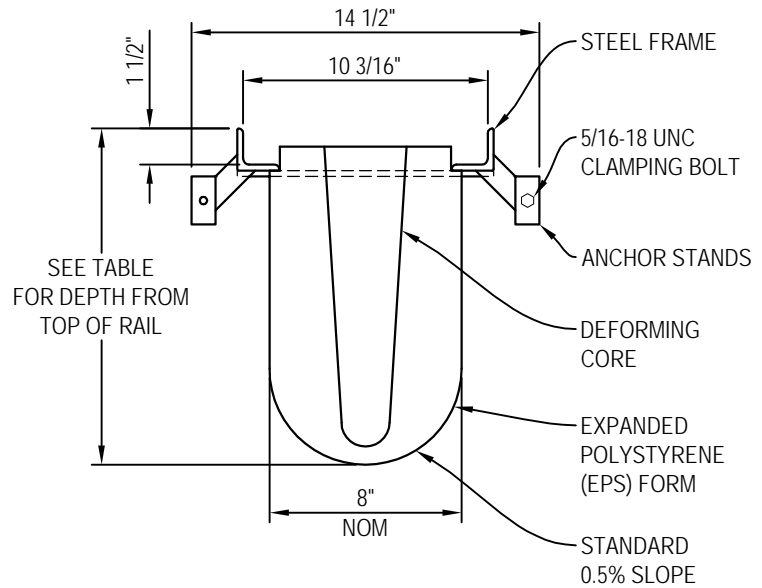


We Drain Your Site, Not Your Budget!

MULTIDRAIN SYSTEMS, INC.
 P.O. BOX 88
 BARIUM SPRINGS, NC 28010
 TOLL FREE: 1-800-433-1119
 PHONE: (704) 508-1010
 FAX: (704) 508-1011
 www.multidrain.com

	EPS FORM	DEPTH		FLOW GPM
		MIN	MAX	
SHALLOW EPS FORMS	06	6"	6 1/2"	276
	07	6 1/2"	7"	319
	08	7"	7 1/2"	363
	09	7 1/2"	8"	408
	10	8"	8 1/2"	453
	11	8 1/2"	9"	498
	12	9"	9 1/2"	544
	13	9 1/2"	10"	590
	14	10"	10 1/2"	636
	15	10 1/2"	11"	683
	16	11"	11 1/2"	729
	17	11 1/2"	12"	776
	18	12"	12 1/2"	823
DEEP EPS FORMS	19	12 1/2"	13"	870
	20	13"	13 1/2"	917
	21	13 1/2"	14"	964
	22	14"	14 1/2"	1012
	23	14 1/2"	15"	1059
	24	15"	15 1/2"	1107
	25	15 1/2"	16"	1154
	26	16"	16 1/2"	1202
	27	16 1/2"	17"	1249
	28	17"	17 1/2"	1297
	29	17 1/2"	18"	1345
	30	18"	18 1/2"	1393
	31	18 1/2"	19"	1441
32	19"	19 1/2"	1488	
33	19 1/2"	20"	1536	
34	20"	20 1/2"	1584	
35	20 1/2"	21"	1632	
36	21"	21 1/2"	1680	
37	21 1/2"	22"	1728	
38	22"	22 1/2"	1776	
39	22 1/2"	23"	1824	
40	23"	23 1/2"	1872	
41	23 1/2"	24"	1921	
42	24"	24 1/2"	1969	
43	24 1/2"	25"	2017	
44	25"	25 1/2"	2065	
45	25 1/2"	26"	2113	

STANDARD GRATE:
 H2O CAST IRON GRATE
 #EG-1024-1CI-A
 (NOT PICTURED)



STEEL FRAMES & EPS FORMS ARE STANDARD 8'-0" LENGTHS

06	07	08	09	10	11	12	13	14	15	16	17	18	19	20	21	22	23
----	----	----	----	----	----	----	----	----	----	----	----	----	----	----	----	----	----

SHALLOW EPS FORMS

24	25	26	27	28	29	30	31	32	33	34	35	36	37	38	39	40	41	42	43	44	45
----	----	----	----	----	----	----	----	----	----	----	----	----	----	----	----	----	----	----	----	----	----

DEEP EPS FORMS

NOTES:

1. INSTALLATION TO BE COMPLETED IN ACCORDANCE WITH MANUFACTURERS SPECIFICATIONS.
2. DO NOT SCALE DRAWINGS.

