

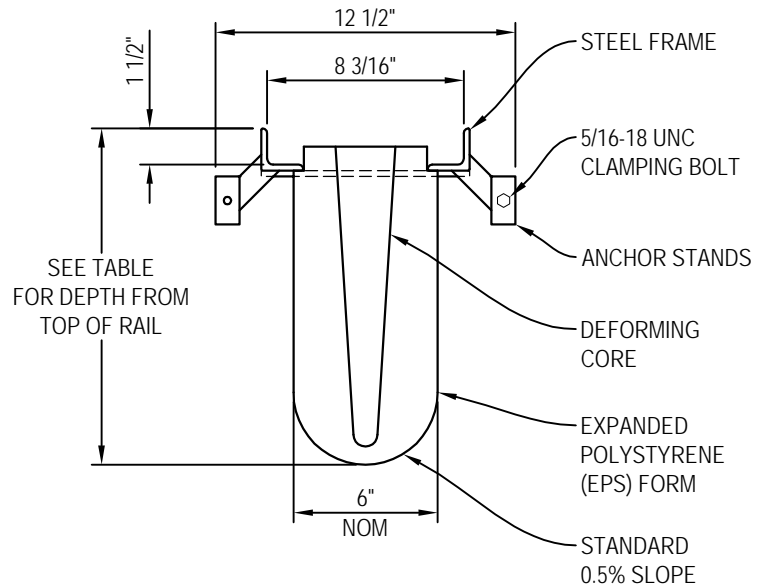


We Drain Your Site, Not Your Budget!

MULTIDRAIN SYSTEMS, INC.
 P.O. BOX 88
 BARIUM SPRINGS, NC 28010
 TOLL FREE: 1-800-433-1119
 PHONE: (704) 508-1010
 FAX: (704) 508-1011
 www.multidrain.com

	EPS FORM	DEPTH		FLOW GPM
		MIN	MAX	
SHALLOW EPS FORMS	06	6"	6 1/2"	196
	07	6 1/2"	7"	224
	08	7"	7 1/2"	253
	09	7 1/2"	8"	281
	10	8"	8 1/2"	310
	11	8 1/2"	9"	339
	12	9"	9 1/2"	368
	13	9 1/2"	10"	397
	14	10"	10 1/2"	426
	15	10 1/2"	11"	455
	16	11"	11 1/2"	484
	17	11 1/2"	12"	514
	18	12"	12 1/2"	543
DEEP EPS FORMS	19	12 1/2"	13"	573
	20	13"	13 1/2"	602
	21	13 1/2"	14"	632
	22	14"	14 1/2"	661
	23	14 1/2"	15"	691
	24	15"	15 1/2"	721
	25	15 1/2"	16"	750
	26	16"	16 1/2"	780
	27	16 1/2"	17"	810
	28	17"	17 1/2"	840
	29	17 1/2"	18"	869
	30	18"	18 1/2"	899
	31	18 1/2"	19"	929
32	19"	19 1/2"	959	
33	19 1/2"	20"	989	
34	20"	20 1/2"	1019	
35	20 1/2"	21"	1048	
36	21"	21 1/2"	1078	
37	21 1/2"	22"	1108	
38	22"	22 1/2"	1138	
39	22 1/2"	23"	1168	
40	23"	23 1/2"	1198	
41	23 1/2"	24"	1228	
42	24"	24 1/2"	1258	
43	24 1/2"	25"	1288	
44	25"	25 1/2"	1317	
45	25 1/2"	26"	1347	

STANDARD GRATE:
 AASHTO M306 - H20
 CAST IRON GRATE
 #EG-0824-1CI-B
 (NOT PICTURED)



STEEL FRAMES & EPS FORMS ARE STANDARD 8'-0" LENGTHS

06	07	08	09	10	11	12	13	14	15	16	17	18	19	20	21	22	23
----	----	----	----	----	----	----	----	----	----	----	----	----	----	----	----	----	----

SHALLOW EPS FORMS

24	25	26	27	28	29	30	31	32	33	34	35	36	37	38	39	40	41	42	43	44	45
----	----	----	----	----	----	----	----	----	----	----	----	----	----	----	----	----	----	----	----	----	----

DEEP EPS FORMS

NOTES:

1. INSTALLATION TO BE COMPLETED IN ACCORDANCE WITH MANUFACTURERS SPECIFICATIONS.
2. DO NOT SCALE DRAWINGS.

