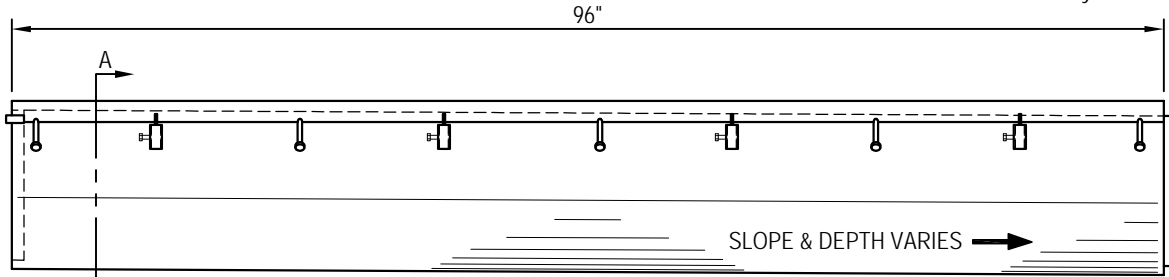


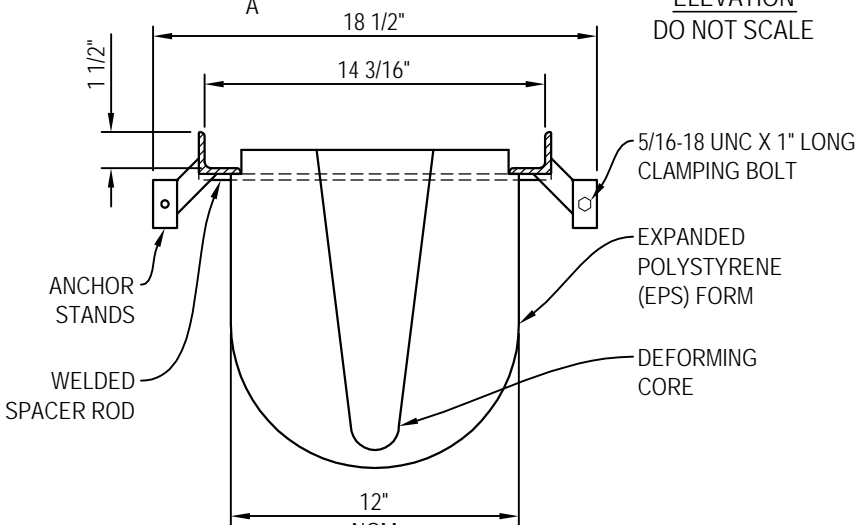


We Drain Your Site, Not Your Budget!

MULTIDRAIN SYSTEMS, INC.
 P.O. BOX 88
 BARIUM SPRINGS, NC 28010
 TOLL FREE: 1-800-433-1119
 PHONE: (704) 508-1010
 FAX: (704) 508-1011
 www.multidrain.com



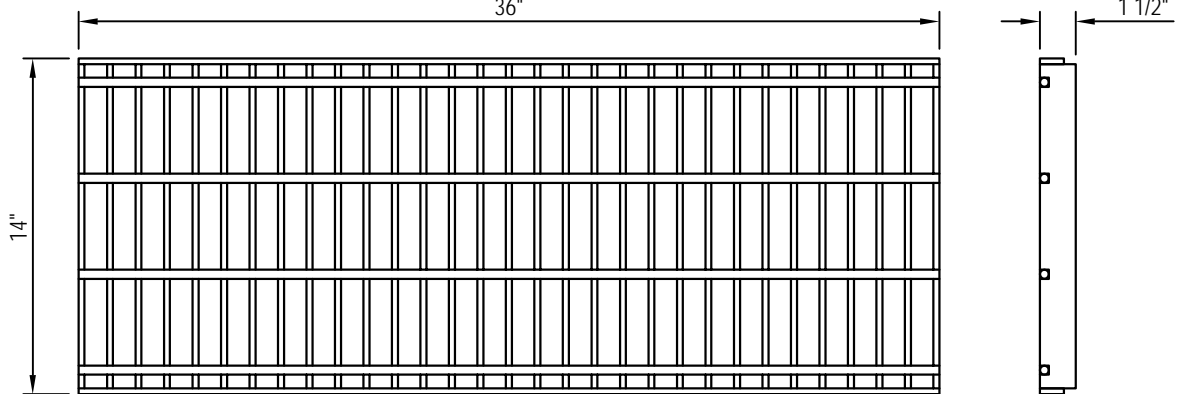
ELEVATION
DO NOT SCALE



NOM
SECTION A-A
DO NOT SCALE

FINISH SPECIFICATION
 GRATE FRAME: BLACK PAINT - STANDARD
 HOT DIP GALVANIZE - OPTIONAL
 BAR GRATE : BLACK PAINT - STANDARD
 HOT DIP GALVANIZE - OPTIONAL
 STAINLESS STEEL - OPTIONAL

67% OPEN AREA
 112.5 SQUARE INCHES PER LINEAR
 FOOT



GALVANIZED STEEL BANDED BAR GRATE - #EG-1436-HGBG
 STAINLESS STEEL BANDED BAR GRATE - #EG-1436-HSBG
 (INSTALLED AFTER REMOVAL OF EPS FORM)

NOTES:

1. INSTALLATION TO BE COMPLETED IN ACCORDANCE WITH MANUFACTURERS SPECIFICATIONS.
2. DO NOT SCALE DRAWINGS.

EconoDrain® Series #12
 HEAVY DUTY BAR GRATE