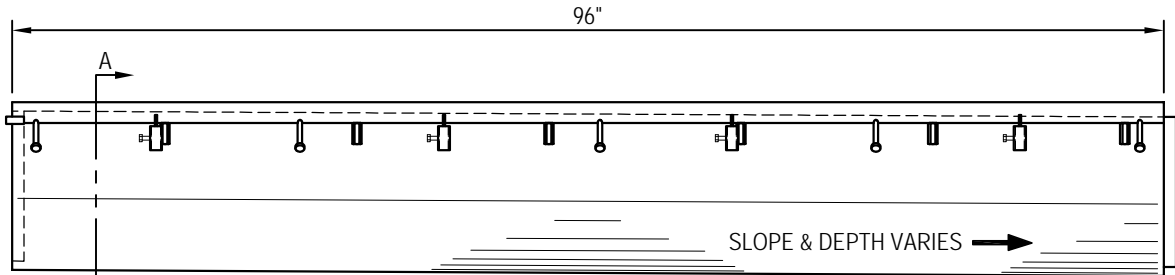


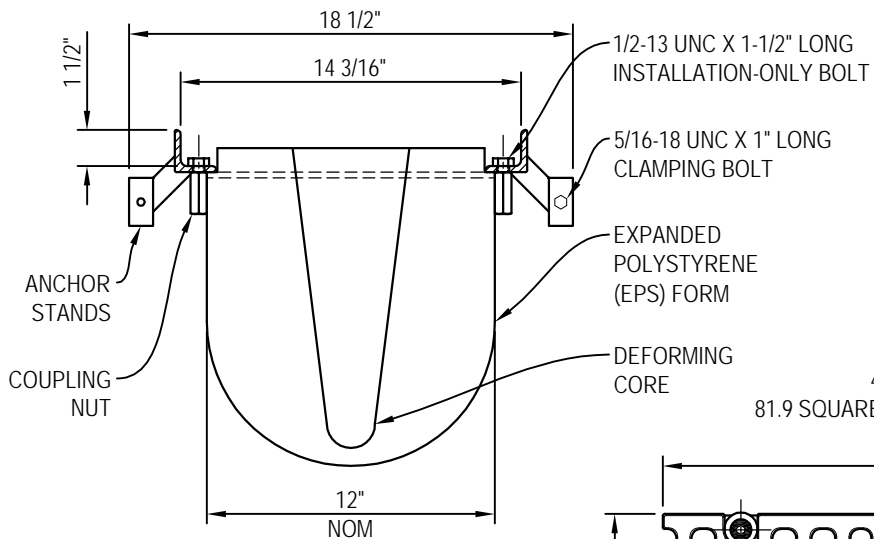


We Drain Your Site, Not Your Budget!

MULTIDRAIN SYSTEMS, INC.
 P.O. BOX 88
 BARIUM SPRINGS, NC 28010
 TOLL FREE: 1-800-433-1119
 PHONE: (704) 508-1010
 FAX: (704) 508-1011
 www.multidrain.com



ELEVATION
DO NOT SCALE

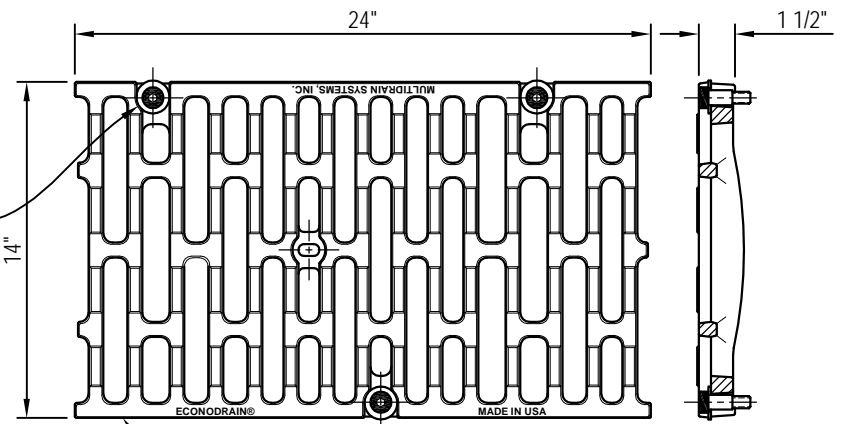


SECTION A-A
DO NOT SCALE

FINISH SPECIFICATION
 GRATE FRAME: BLACK PAINT - STANDARD
 HOT DIP GALVANIZE - OPTIONAL
 CAST GRATE: UNCOATED - STANDARD
 BLACK PAINT - OPTIONAL
 HOT DIP GALVANIZE - OPTIONAL

49% OPEN AREA
 81.9 SQUARE INCHES PER LINEAR FOOT

SHOULDER BOLT
 5/8" X 1" X 1/2-13 UNC
 3 BOLTS PER GRATE



FAA AC150 5320-6D PART 5 APPENDIX 3
 AASHTO M306 - H20 & HS25
 PT-3™ DUCTILE IRON GRATE - #EG-1424-3DI-A
 (INSTALLED AFTER REMOVAL OF EPS FORM)

- NOTES:**
1. INSTALLATION TO BE COMPLETED IN ACCORDANCE WITH MANUFACTURERS SPECIFICATIONS.
 2. DO NOT SCALE DRAWINGS.

EconoDrain® Series #12
 PT-3™ HEAVY DUTY DUCTILE IRON GRATE