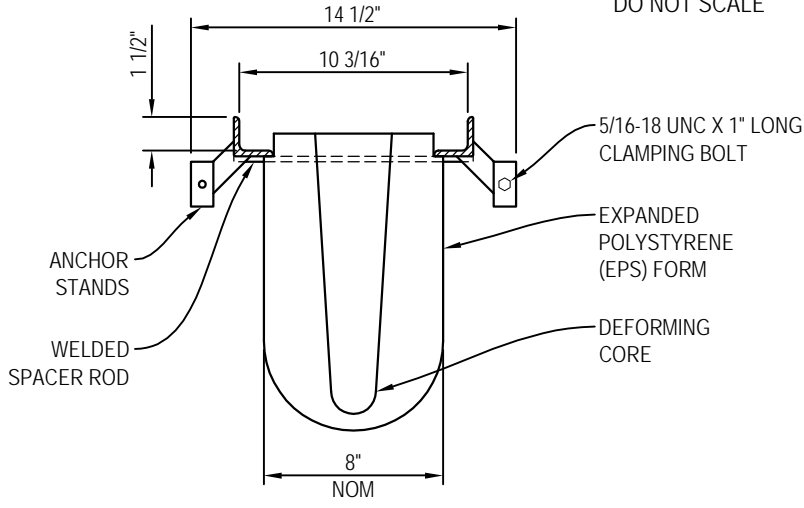
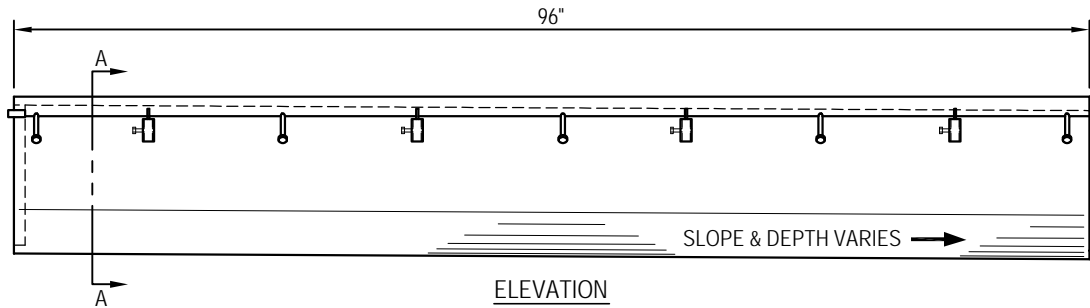


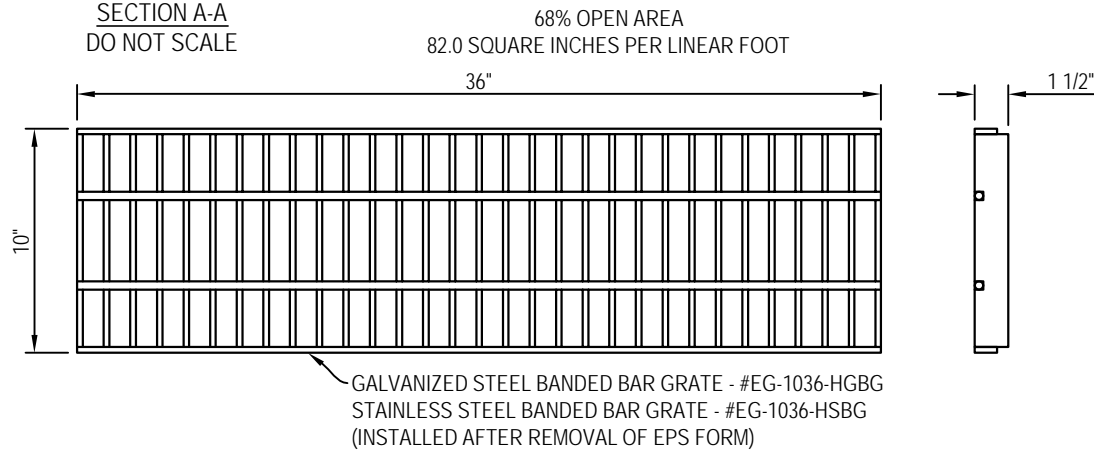


We Drain Your Site, Not Your Budget!

MULTIDRAIN SYSTEMS, INC.  
 P.O. BOX 88  
 BARIUM SPRINGS, NC 28010  
 TOLL FREE: 1-800-433-1119  
 PHONE: (704) 508-1010  
 FAX: (704) 508-1011  
 www.multidrainsystems.com



FINISH SPECIFICATION  
 GRATE FRAME: BLACK PAINT - STANDARD  
 HOT DIP GALVANIZE - OPTIONAL  
 BAR GRATE : BLACK PAINT - STANDARD  
 HOT DIP GALVANIZE - OPTIONAL  
 STAINLESS STEEL - OPTIONAL



NOTES:

1. INSTALLATION TO BE COMPLETED IN ACCORDANCE WITH MANUFACTURERS SPECIFICATIONS.
2. DO NOT SCALE DRAWINGS.

