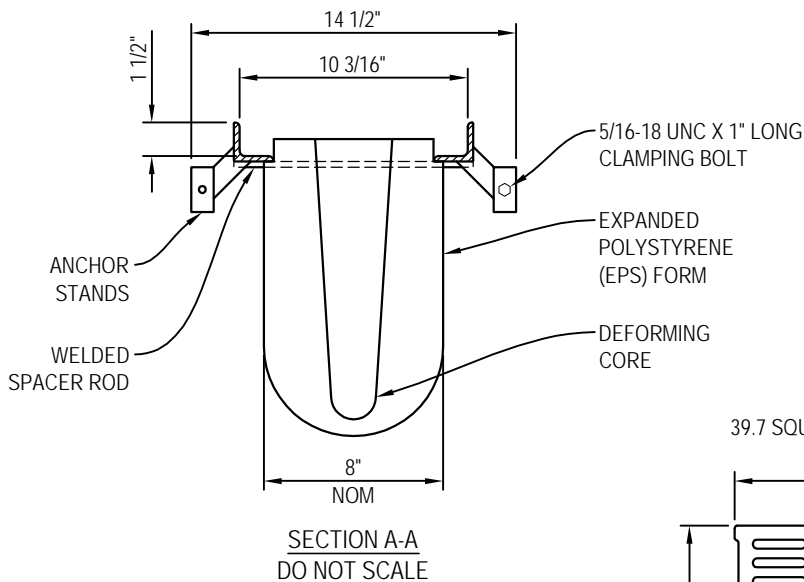
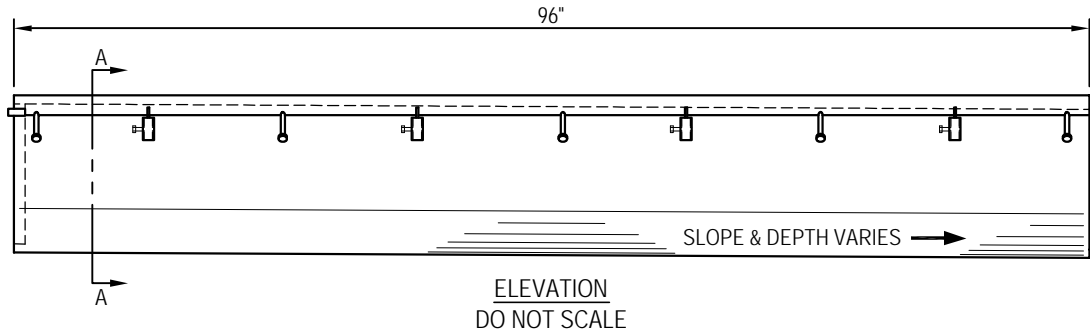


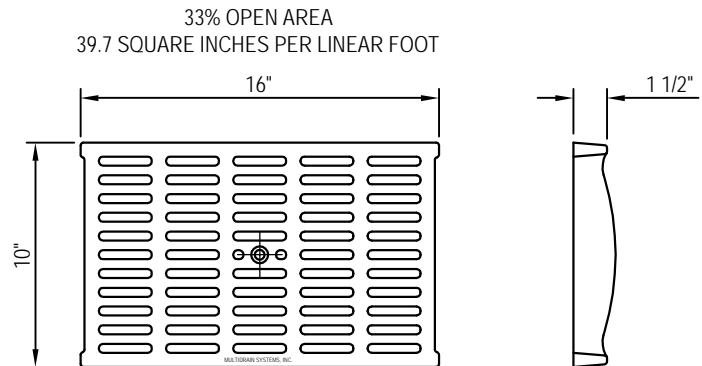


We Drain Your Site, Not Your Budget!

MULTIDRAIN SYSTEMS, INC.
 P.O. BOX 88
 BARIUM SPRINGS, NC 28010
 TOLL FREE: 1-800-433-1119
 PHONE: (704) 508-1010
 FAX: (704) 508-1011
 www.multidrain.com



FINISH SPECIFICATION
 GRATE FRAME: BLACK PAINT - STANDARD
 HOT DIP GALVANIZE - OPTIONAL
 CAST GRATE : BLACK PAINT - STANDARD
 HOT DIP GALVANIZE - OPTIONAL



FAA AC150 5320-6D PART 5 APPENDIX 3
 AASHTO M306 - H20 & HS25
 HEAVY DUTY DUCTILE IRON GRATE - #EG-1016-1DI-ADA
 ADA COMPLIANT SLOTTED GRATE
 (INSTALLED AFTER REMOVAL OF EPS FORM)

NOTES:

1. INSTALLATION TO BE COMPLETED IN ACCORDANCE WITH MANUFACTURERS SPECIFICATIONS.
2. DO NOT SCALE DRAWINGS.

