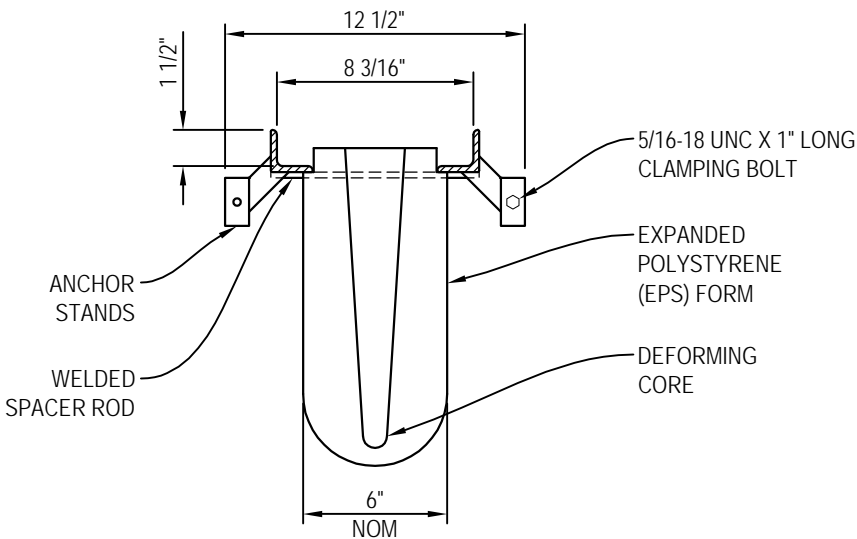
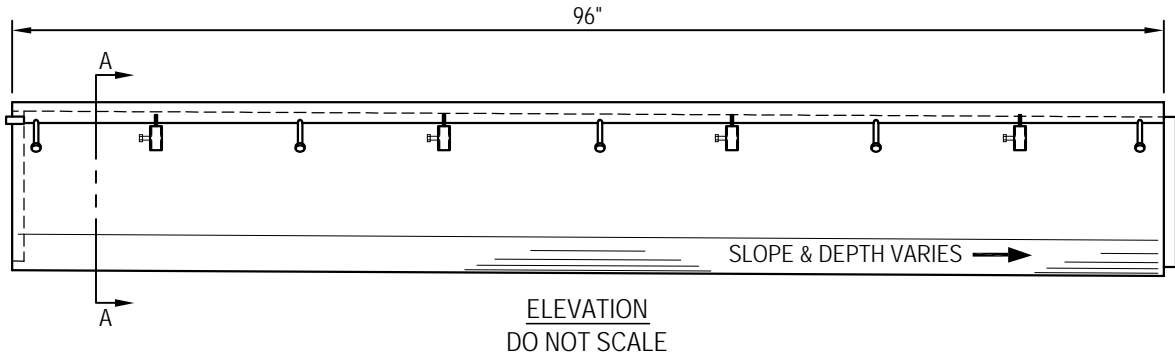




We Drain Your Site, Not Your Budget!

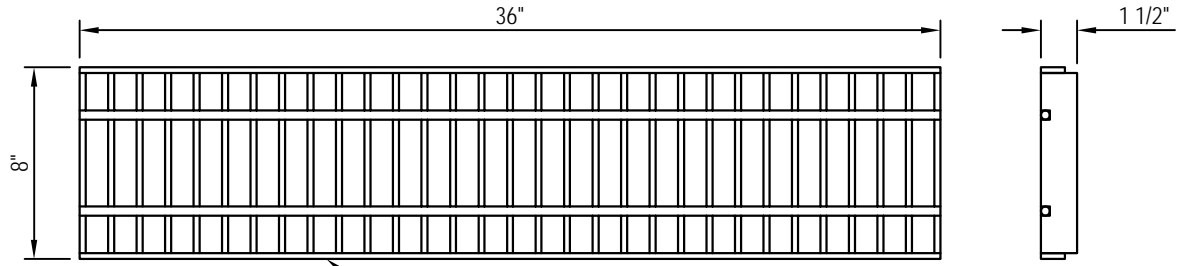
MULTIDRAIN SYSTEMS, INC.
 P.O. BOX 88
 BARIUM SPRINGS, NC 28010
 TOLL FREE: 1-800-433-1119
 PHONE: (704) 508-1010
 FAX: (704) 508-1011
 www.multidrain.com



SECTION A-A
DO NOT SCALE

FINISH SPECIFICATION
 GRATE FRAME: BLACK PAINT - STANDARD
 HOT DIP GALVANIZE - OPTIONAL
 BAR GRATE : BLACK PAINT - STANDARD
 HOT DIP GALVANIZE - OPTIONAL
 STAINLESS STEEL - OPTIONAL

66% OPEN AREA
 63.3 SQUARE INCHES PER LINEAR FOOT



- NOTES:
1. INSTALLATION TO BE COMPLETED IN ACCORDANCE WITH MANUFACTURERS SPECIFICATIONS.
 2. DO NOT SCALE DRAWINGS.

EconoDrain® Series #6
 HEAVY DUTY BAR GRATE