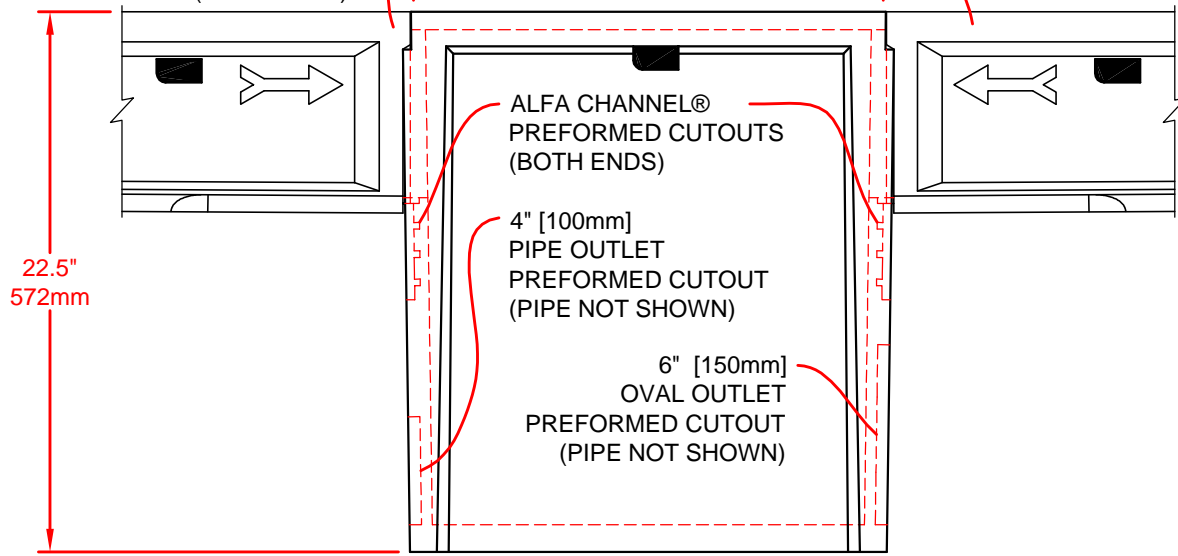


CHANNEL INTERLOCKS INTO SIDE OF CATCH BASIN (BUTT JOINT)

19.6" 497mm  
GRATE LENGTH

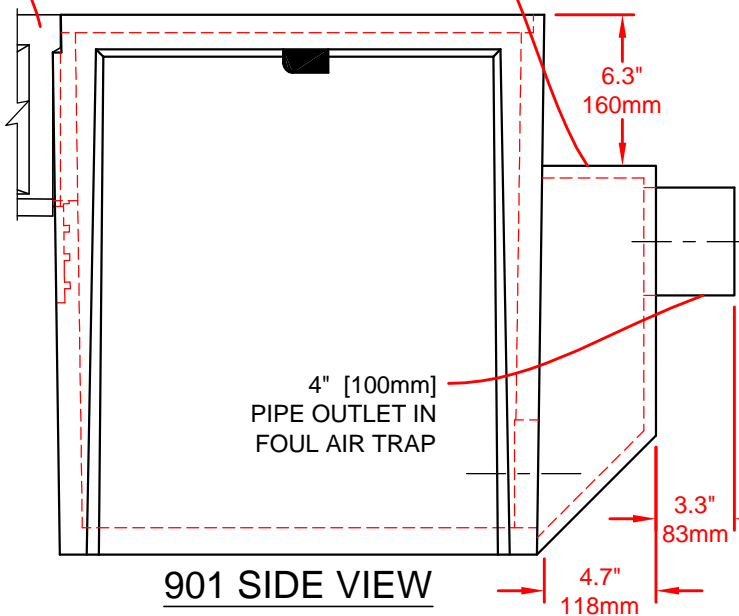
ALFA CHANNEL® SYSTEM



**900 SIDE VIEW**

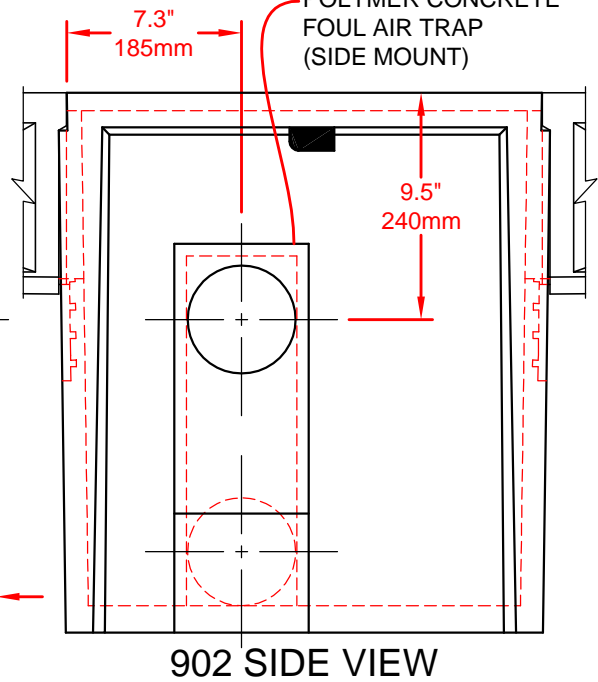
POLYMER CONCRETE FOUL AIR TRAP (END MOUNT)

ALFA CHANNEL® SYSTEM



**901 SIDE VIEW**

POLYMER CONCRETE FOUL AIR TRAP (SIDE MOUNT)



**902 SIDE VIEW**

**NOTE: YOU ARE NOT LIMITED TO THE OUTLETS SHOWN. OUTLETS AS LARGE AS 12" [300mm] MAY ALSO BE CUT OUT ON THE NEAR AND FAR SIDE FACES OF THE 900 CATCH BASIN.**



PRODUCT DRAWING © 2006 MultiDrain Systems, Inc.

**ALFA CHANNEL® SYSTEM  
SMALL CATCH BASIN**

**MultiDrain Systems, Inc.**

PART: 2900, 2901, 2902

Manufacturers of MultiDrain® & EconoDrain®  
(800) 433-1119 Barium Springs, NC 28010

FILE: AC-2900B-00

Proprietary rights of MultiDrain Systems, Inc. are included in the information disclosed herein. The recipient, by accepting this document, agrees that neither this document nor the information disclosed herein nor any part thereof shall be copied, reproduced or transferred to others for manufacturing or for any other purpose except as specifically authorized in writing by MultiDrain Systems, Inc.