

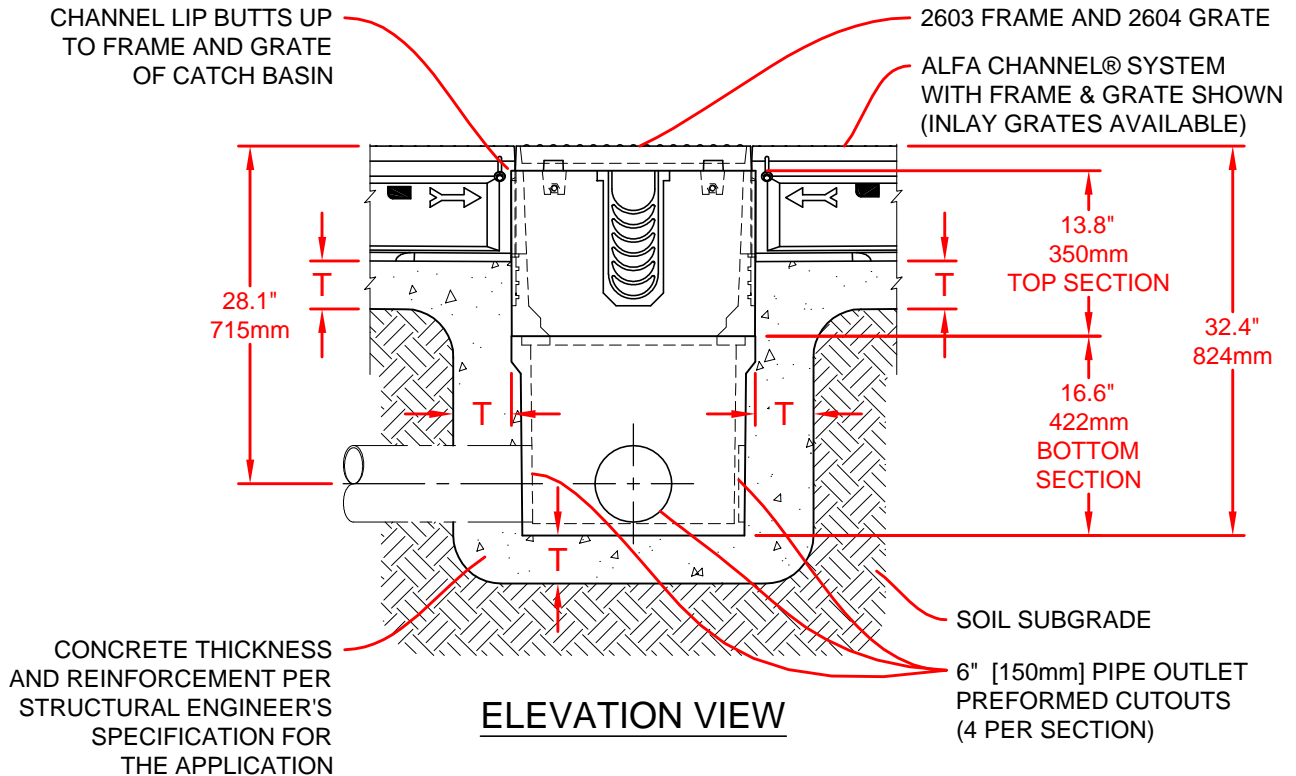
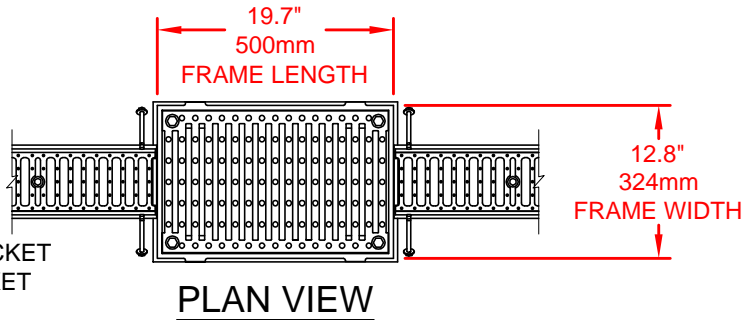
2610 CATCH BASIN

INCLUDES:

- 2600 - TOP SECTION
- 2602 - BOTTOM SECTION
- 2603 - DUCTILE IRON FRAME
- 2604 - DUCTILE IRON GRATE

OPTIONAL:

- 2605 - GALVANIZED TRASH BUCKET
- 2608 - STAINLESS TRASH BUCKET
- 2616 - STEEL SOLID COVER



T = FLOOR SLAB THICKNESS,
OR 4" MIN. [100mm],
OR SPECIFICATION
(WHICHEVER IS GREATER)

NOTE: YOU ARE NOT LIMITED TO THE OUTLETS SHOWN. OUTLETS AS LARGE AS 12" [300mm] MAY ALSO BE CUT OUT ON ANY OF THE SIDES OF THE 2610 CATCH BASIN.



PRODUCT DRAWING © 2006 MultiDrain Systems, Inc.

ALFA CHANNEL® SYSTEM 2610 LARGE CATCH BASIN

MultiDrain Systems, Inc.

Manufacturers of MultiDrain® & EconoDrain®
(800) 433-1119 Barium Springs, NC 28010

PART: 2610, 2600, 2602, 2603,
2604, 2605, 2608, 2616

FILE: AC-2610-00

Proprietary rights of MultiDrain Systems, Inc. are included in the information disclosed herein. The recipient, by accepting this document, agrees that neither this document nor the information disclosed herein nor any part thereof shall be copied, reproduced or transferred to others for manufacturing or for any other purpose except as specifically authorized in writing by MultiDrain Systems, Inc.