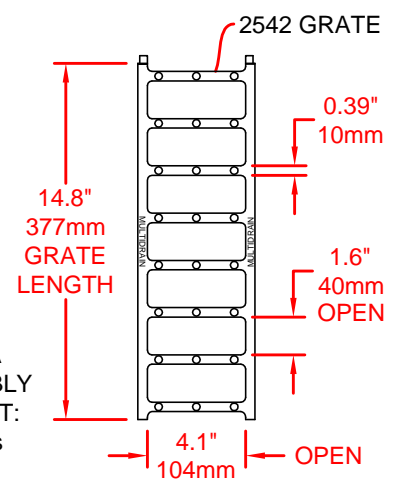
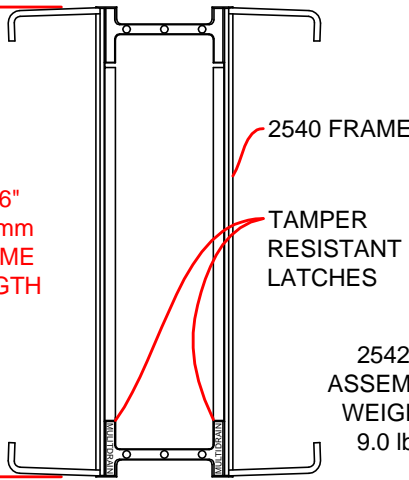
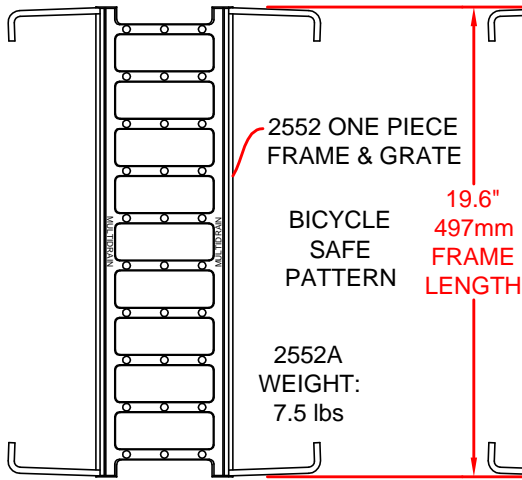
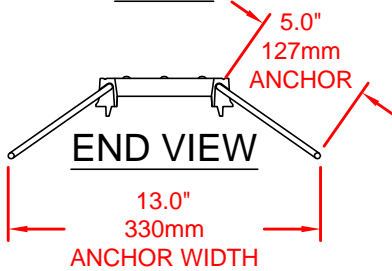


2552A
ONE PIECE

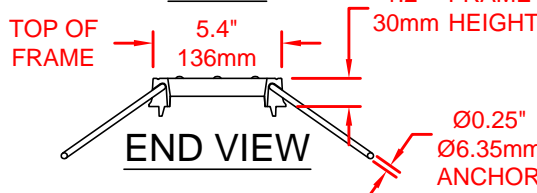
2542A
FRAME / GRATE ASSEMBLY



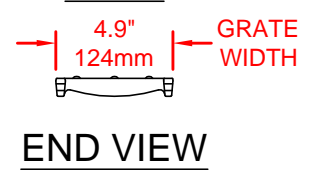
PLAN



PLAN



PLAN



END VIEW



END VIEW

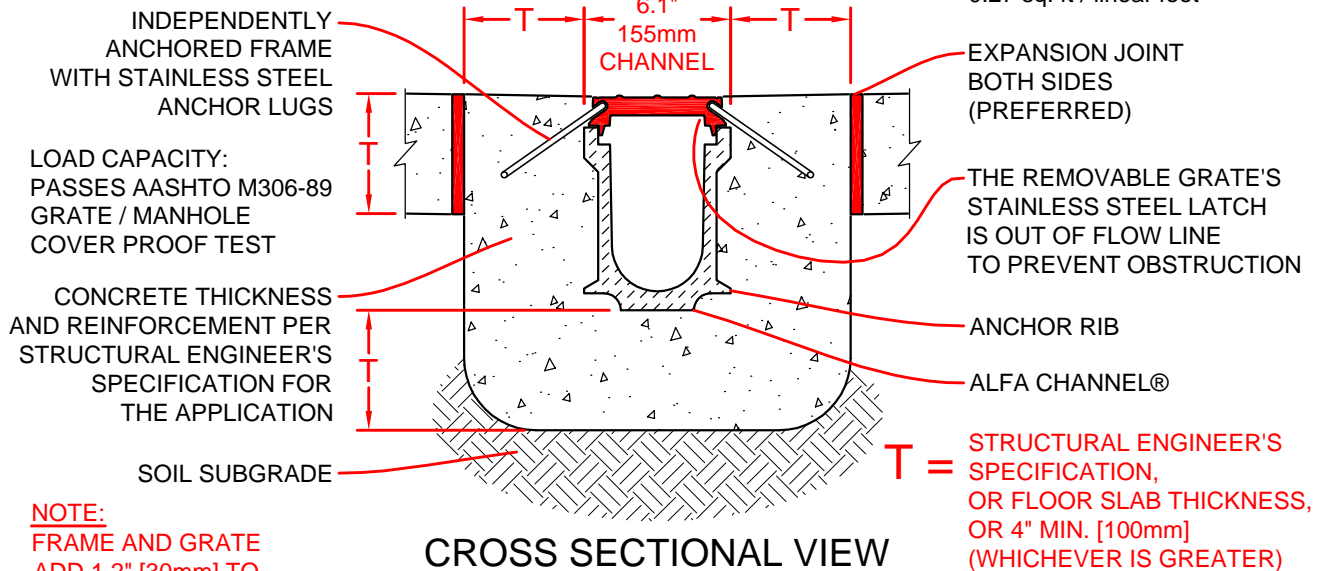


END VIEW



FRAME & GRATE MATERIAL:
ASTM A536 Grade 65-45-12 DUCTILE IRON

INLET AREA: 67%
0.0828 sq. meters / linear meter
0.27 sq. ft / linear foot



NOTE:
FRAME AND GRATE
ADD 1.2\"/>

T = STRUCTURAL ENGINEER'S
SPECIFICATION,
OR FLOOR SLAB THICKNESS,
OR 4\"/>



PRODUCT DRAWING © 2005 MultiDrain Systems, Inc. ALFA CHANNEL® ONE PIECE & FRAME / GRATE ASSEMBLY	
MultiDrain Systems, Inc. Manufacturers of MultiDrain® & EconoDrain® (800) 433-1119 Barium Springs, NC 28010	PART: 2552A 2542A (2540 & 2542)
	FILE: AC-2552A-00
Proprietary rights of MultiDrain Systems, Inc. are included in the information disclosed herein. The recipient, by accepting this document, agrees that neither this document nor the information disclosed herein nor any part thereof shall be copied, reproduced or transferred to others for manufacturing or for any other purpose except as specifically authorized in writing by MultiDrain Systems, Inc.	