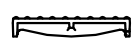
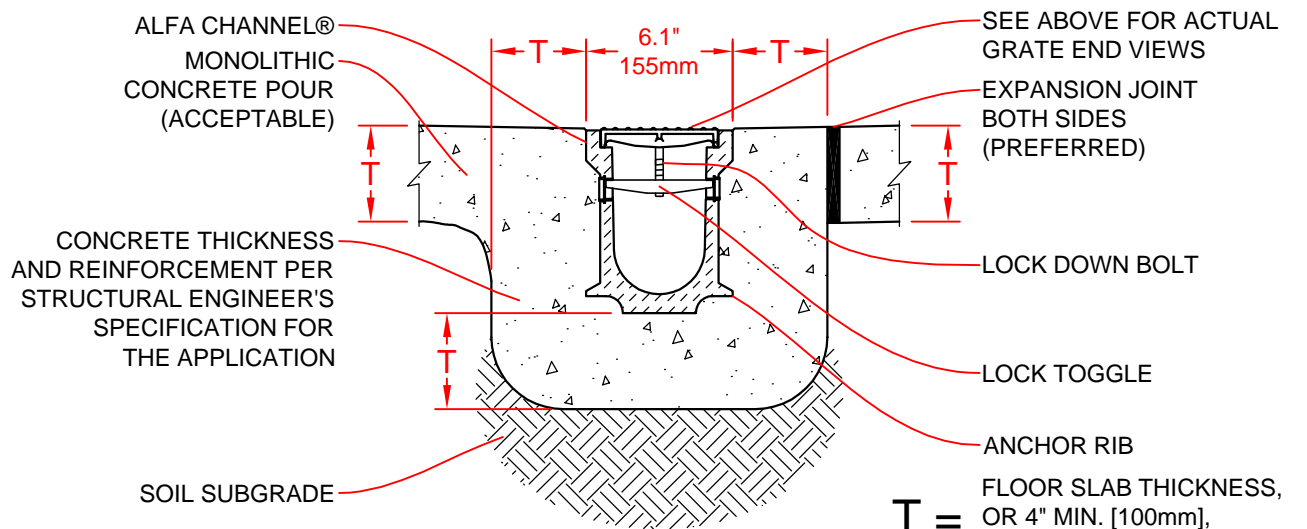


PLAN

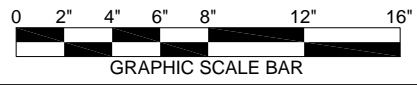


END VIEW



CROSS SECTIONAL VIEW

T = FLOOR SLAB THICKNESS, OR 4" MIN. [100mm], OR SPECIFICATION (WHICHEVER IS GREATER)



PRODUCT DRAWING © 2007 MultiDrain Systems, Inc. ALFA CHANNEL® SYSTEM HEEL PROOF - DUCTILE IRON INLAY GRATE	
MultiDrain Systems, Inc. Manufacturers of MultiDrain® & EconoDrain® (800) 433-1119 Barium Springs, NC 28010	PART: 2506
	FILE: AC-2506-00
<small>Proprietary rights of MultiDrain Systems, Inc. are included in the information disclosed herein. The recipient, by accepting this document, agrees that neither this document nor the information disclosed herein nor any part thereof shall be copied, reproduced or transferred to others for manufacturing or for any other purpose except as specifically authorized in writing by MultiDrain Systems, Inc.</small>	