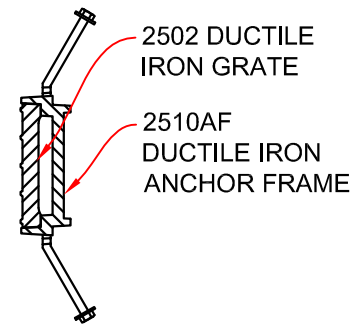
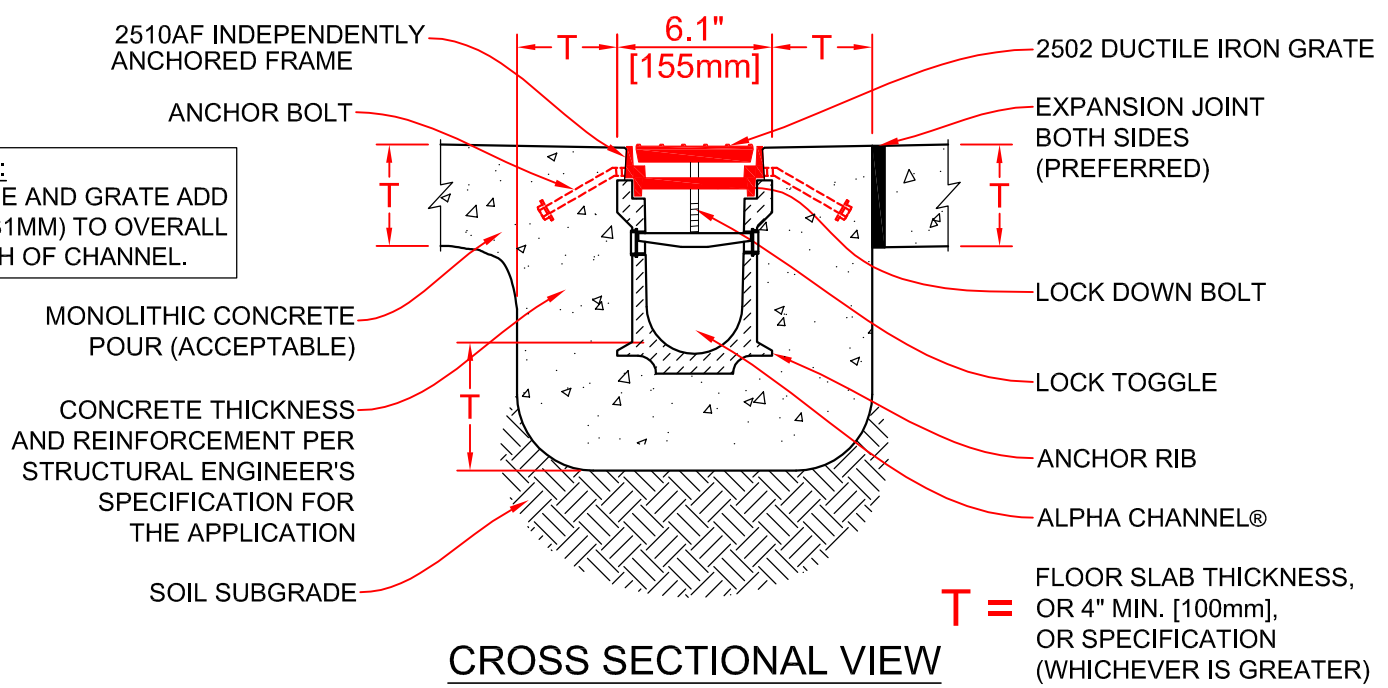


PLAN
2502 Grate
2510AF Frame



SECTION

NOTE:
FRAME AND GRATE ADD 1.2" (31MM) TO OVERALL DEPTH OF CHANNEL.



CROSS SECTIONAL VIEW



Load Class E

Copyright © 2017 MultiDrain Systems, Inc.

MultiDrain
1405 INDUSTRIAL DRIVE
STATESVILLE, NC 28625
(704) 508-1010
1-800-433-1119
www.multidrain.com

ALFA CHANNEL® SYSTEM
Ductile Iron Frame & Slotted Grate

PART:
2502
2510AF

FILE NUMBER: **AC-2502-AF-17a**

REV: 00

Proprietary rights of MultiDrain Systems, Inc. are included in the information disclosed herein. The recipient, by accepting this document, agrees that neither this document nor the information disclosed herein nor any part thereof shall be copied, reproduced or transferred for manufacturing or for any other purpose except as specifically authorized in writing by MULTIDRAIN.

DISCLAIMER: The customer and the customer's architects, engineers, consultants and other professionals are completely responsible for the selection, installation, and maintenance of any product purchased from MultiDrain, and EXCEPT AS EXPRESSLY PROVIDED IN MULTIDRAIN'S STANDARD WARRANTIES, MULTIDRAIN MAKES NO WARRANTY, EXPRESS OR IMPLIED, AS TO THE SUITABILITY, DESIGN, MERCHANTABILITY, OR FITNESS OF THE PRODUCT FOR CUSTOMER'S APPLICATION. Copies of MultiDrain's standard warranties are available upon request.